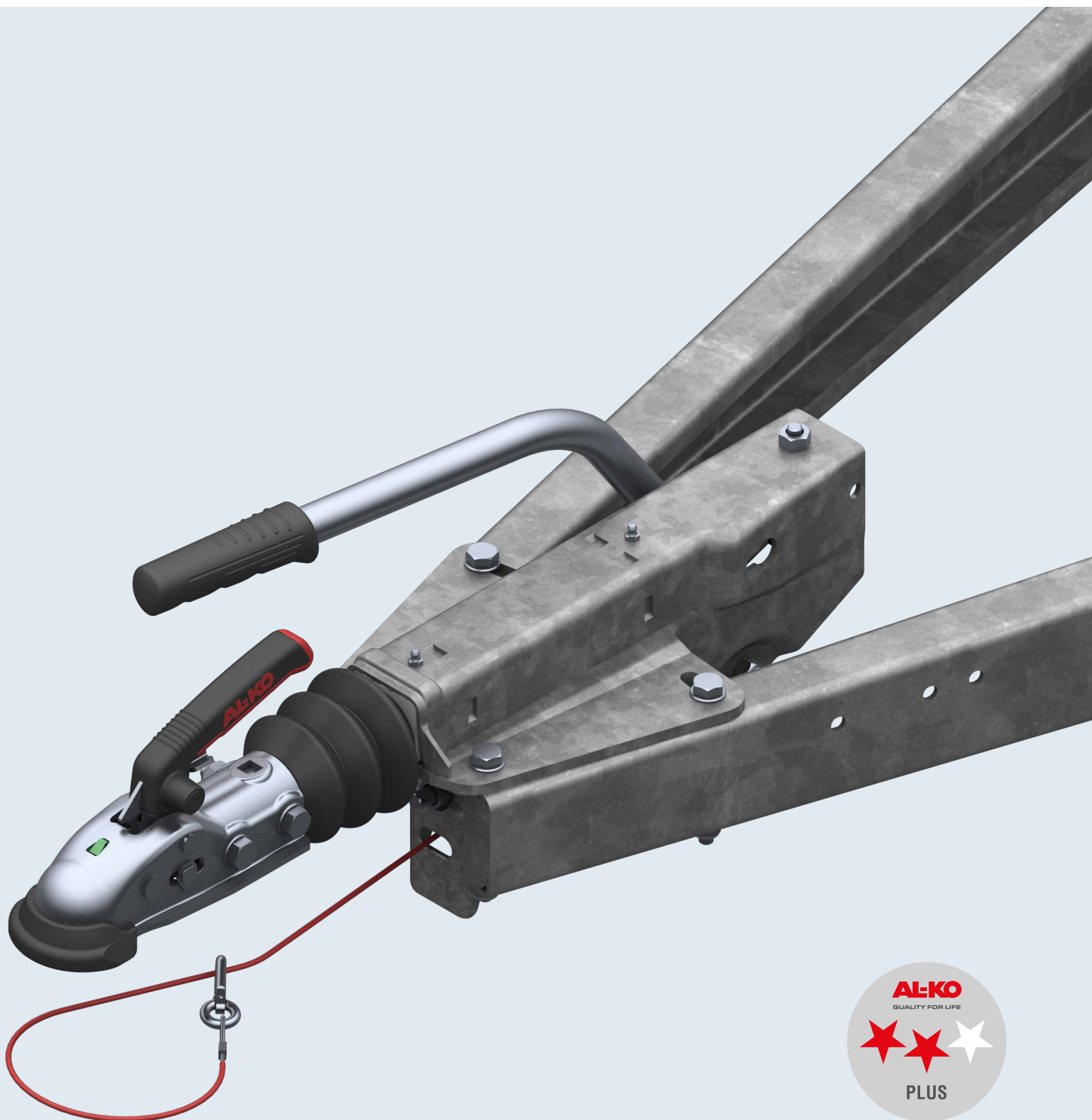


AL-KO

QUALITY FOR LIFE

AL-KO OVERRUN DEVICES V

161S / 251S / 251G – NEW GENERATION



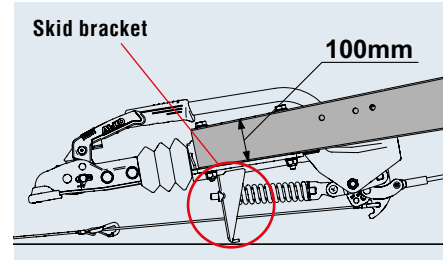
OVERRUN DEVICE V

750 to 3,000 kg



Mounting on the chassis

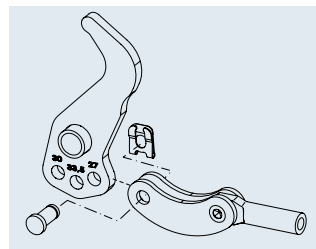
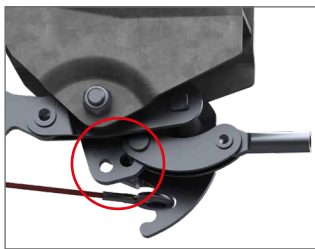
The drawbar struts can be installed at the top and bottom.



A cable guide is integrated in the skid bracket as standard so that the breakaway cable can activate the handbrake lever in an emergency.

- | In bottom installation, the maximum permissible handlebar height is 100 mm.
- | The skid bracket integrated in the housing of the drawbar installation prevents any contact of the handbrake lever and the hitch/drawbar eye in an emergency.

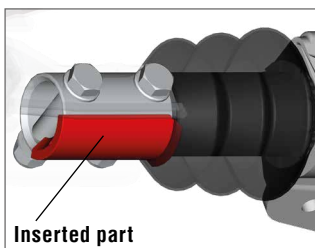
Relay lever



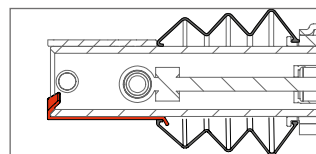
The relay lever can be simply changed over through existing holes as necessary.

- | 90:27 = 1636G, 1637, 2051
- | 90:30 = 2361
- | 90:33.5 = 3062, 3081

Bellows

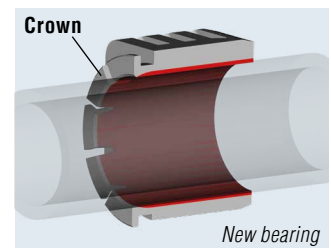
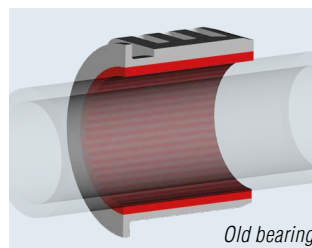


| The inserted part at the bottom of the pull bar secures the bellows against slipping backwards.



The bellows are suitable for all coupling heads or drawbar eyes that can be used on this new overrun device.

Drawbar tube bearing



The optimised bearing bush geometry (crown in the front bearing bush with preload) and the modified machining process made it possible to reduce the bearing clearance.

Optional coupling heads and plug-in drawbar eyes can be used (installed externally on the drawbar tube)

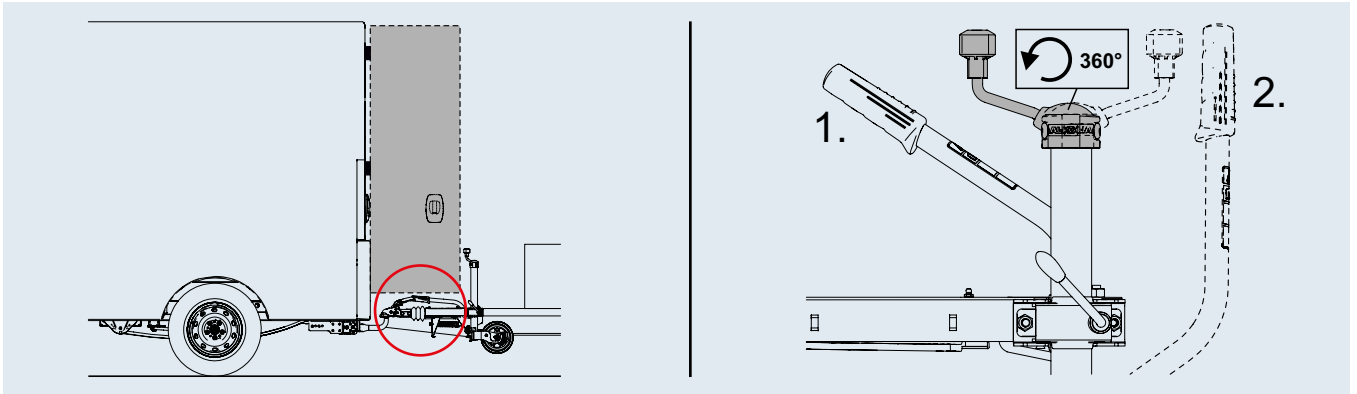
With the **AE 161S** (700–1,600 kg) and the **AE 251S** (1,500–2,700 kg) selected/diverse drawbar eyes can be used for the Ø50 mm pull bar.



With the **AE 251G** (1,550–3,000 kg), no plug-in drawbar eyes (installed externally on the drawbar tube) can be used. We recommend using the "Profi" 3,000 kg overrun device here as necessary.



Parking brake/handbrake



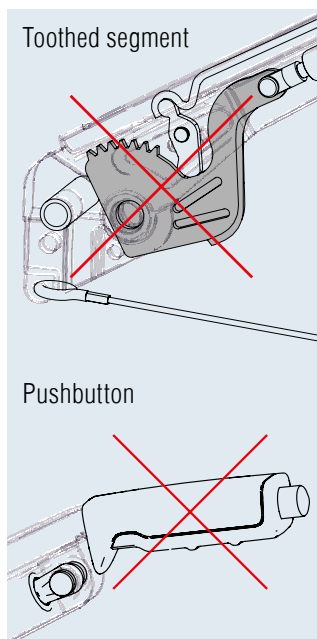
Handbrake not active:

In this position, the handbrake lever is very flat. For cars and vans, the loading door can usually be opened as a result.

Handbrake active:

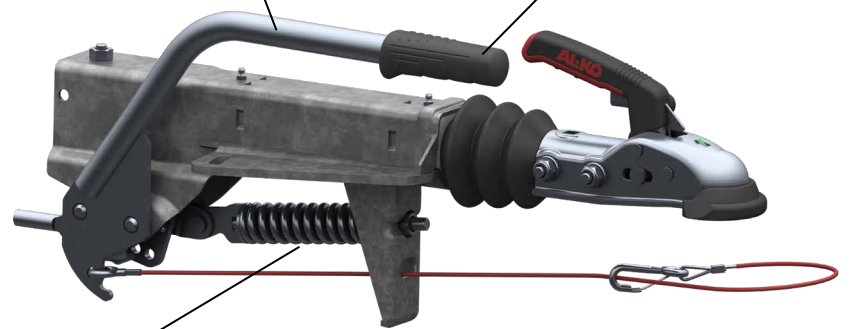
Despite the active handbrake, the jockey wheel crank can be moved freely.

1. Parking brake forwards
2. Parking brake backwards



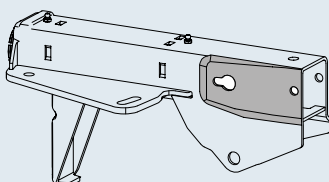
! Sturdy tubular handbrake lever, galvanised.
! The flat arrangement allows the operator to place his body weight over the hand lever when releasing the handbrake.

! Ergonomic, extended hand grip with soft surface.

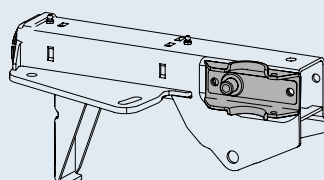


The pressure spring dead-point mechanism eliminates the need for a toothed segment and pushbutton. This enables sensitive adjustment when coupling the trailer, e.g. on downhill gradients.

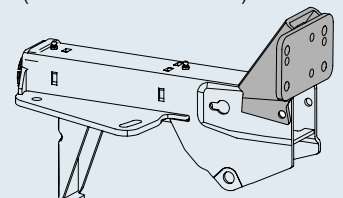
As standard with mounting holes for the Ø48 mm clamp (for AE 161S, AE 251S and AE 251G)



Optionally with welded-on bottom part of the clamp for Ø48 mm jockey wheel (for AE 161S, 251S and 251G)



Optionally with welded-on jockey wheel centre flange (for AE 251S and 251G)



OVERRUN DEVICE V – TYPE 161S

700 to 1,600 kg



SAP: AE KPL V 161S TOTP AK161

AE V

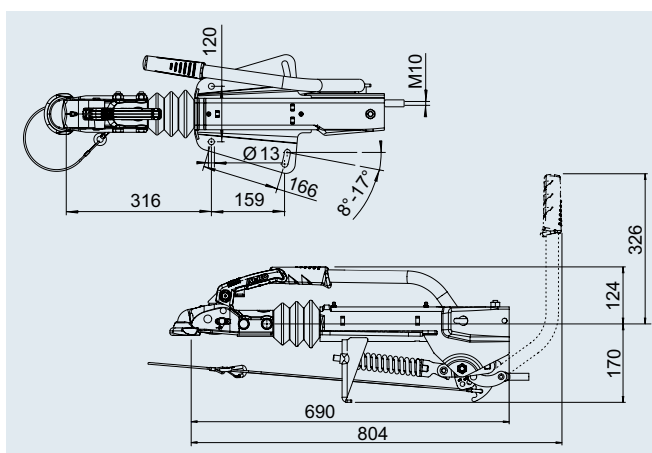
Part No.	Type	Total weight in kg	Nose load in kg	Installation	Changeover relay lever?	Can be combined with AL-KO wheel brake	Hitch mounted				
1733094	161S	700 – 1,350	100	top + bottom	Yes	1637 / 2051	AK161	13	–	24	20
1733092	161S	950 – 1,600	100	top + bottom	Yes	1637 / 2051	AK161	13	–	24	2
1733093	161S	950 – 1,600	100	top + bottom	Yes	2361	AK161	13	–	24	2

ECE test report no.

Overrun device: 361-0047-97

ECE type approval no.

Drawbar installation: E1 55R-01 0229



SAP: AE KPL V 161S TOTP AK161

AE V

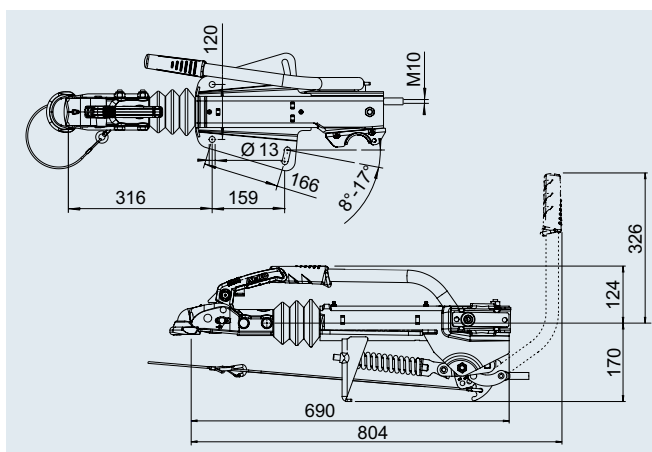
Part No.	Type	Total weight in kg	Nose load in kg	Installation	Changeover relay lever?	Can be combined with AL-KO wheel brake	Hitch mounted				
1733099	161S	700 – 1,350	100	top + bottom	Yes	1637 / 2051	AK161	14	–	21	20
1733100	161S	950 – 1,600	100	top + bottom	Yes	1637 / 2051	AK161	14	–	21	20
1733101	161S	950 – 1,600	100	top + bottom	Yes	2361	AK161	14	–	21	20

ECE test report no.

Overrun device: 361-0047-97

ECE type approval no.

Drawbar installation: E1 55R-01 0229



OVERRUN DEVICE V – TYPE 161S

950 to 1,600 kg



SAP: AE KPL V 161S TOTP AK161

AE V

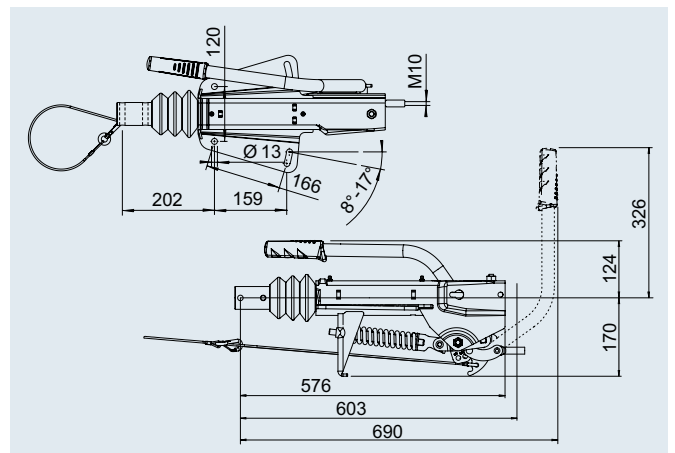
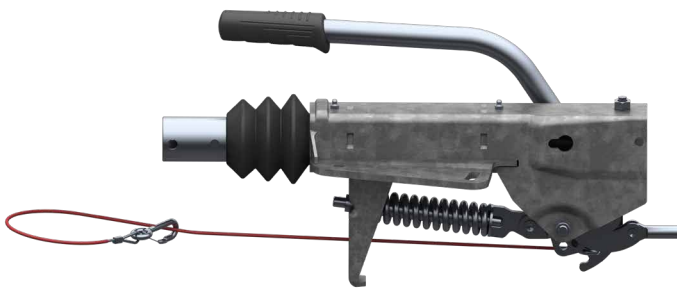
Part No.	Type	Total weight in kg	Nose load in kg	Installation	Changeover relay lever?	Can be combined with AL-KO wheel brake	Hitch mounted				
1733104	161S	950 – 1,600	100	top + bottom	Yes	1637 / 2051	without	12	–	24	20
1733105	161S	950 – 1,600	100	top + bottom	Yes	2361	without	12	–	24	20

ECE test report no.

Overrun device: 361-0047-97

ECE type approval no.

Drawbar installation: E1 55R-01 0229



3.5 kg

SAP: ZUGÖSE E30 M SCHRAUBMAT VZ
Drawbar eye UK E30/A Part No. 1224106

3.8 kg

SAP: ZUGÖSE D40 M SCHRAUBMAT VZ
Drawbar eye DIN D40/F Part No. 1213350

3.7 kg

SAP: ZUGÖSE E40 M SCHRAUBMAT VZ
Drawbar eye UK E40/A Part No. 1224107

3.8 kg

SAP: ZUGÖSE I45 M SCHRAUBMAT VZ
Drawbar eye Italy I45/F Part No. 1224108

~~6.7 kg~~

~~SAP: ZUGÖSE D50 M SCHRAUBMAT VZ~~
Drawbar eye DIN D50 CANNOT BE USED

4.3 kg

SAP: ZUGÖSE E50 M SCHRAUBMAT VZ
Drawbar eye UK E50/A Part No. 1224109

5.6 kg

SAP: ZUGÖSE F68 M SCHRAUBMAT VZ
Drawbar eye France F68/E Part No. 1224110

6.0 kg

SAP: ZUGÖSE N76 M SCHRAUBMAT VZ
Drawbar eye NATO N76/E Part No. 1224111

OVERRUN DEVICE V – TYPE 251S

1,500 to 2,700 kg



SAP: AE KPL V 251S TOTP AK270

AE V 251S dead centre HBH with AK 270, without clamp

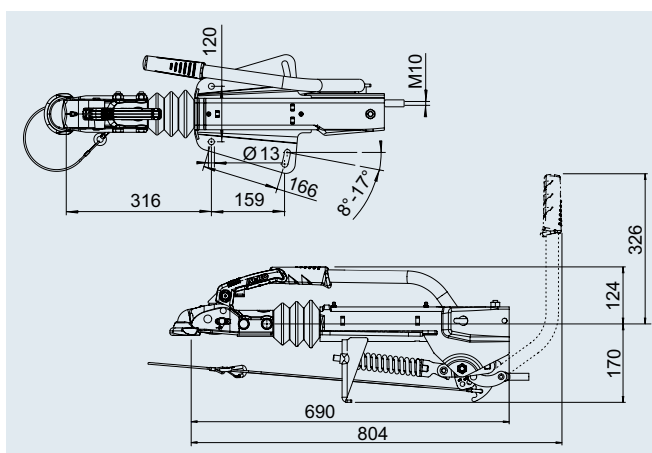
Part No.	Type	Total weight in kg	Nose load in kg	Installation	Changeover relay lever?	Can be combined with AL-KO wheel brake	Hitch mounted				
1731104	251S	1,500–2,700	120	top + bottom	Yes	1637/2051	AK270	13	–	24	2
1731336	251S	1,500–2,700	120	top + bottom	Yes	2361	AK270	13	–	24	20
1731337	251S	1,500–2,700	120	top + bottom	Yes	3062/3081	AK270	13	–	24	20

ECE test report no.

Overrun device: 361-0044-97

ECE type approval no.

Drawbar installation: E1 55R-01 0227



SAP: AE KPL V 251S TOTP AK270

AE V 251S dead centre HBH with AK 270, with bottom part of the clamp

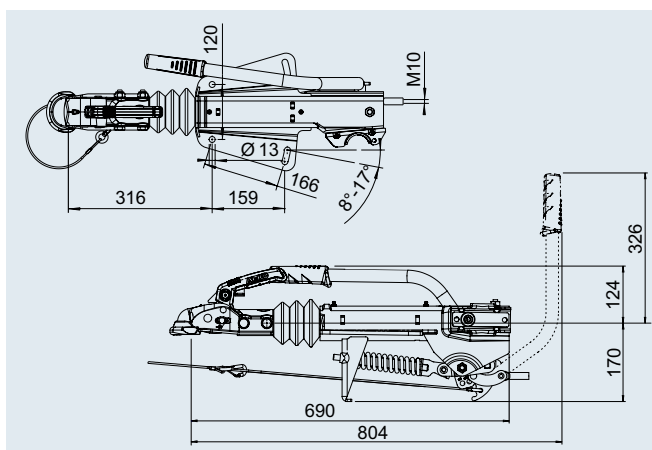
Part No.	Type	Total weight in kg	Nose load in kg	Installation	Changeover relay lever?	Can be combined with AL-KO wheel brake	Hitch mounted				
1731762	251S	1,500–2,700	120	top + bottom	Yes	1637/2051	AK270	13	–	21	20
1731763	251S	1,500–2,700	120	top + bottom	Yes	2361	AK270	13	–	21	20
1731764	251S	1,500–2,700	120	top + bottom	Yes	3062/3081	AK270	13	–	21	20

ECE test report no.

Overrun device: 361-0044-97

ECE type approval no.

Drawbar installation: E1 55R-01 0227



OVERRUN DEVICE V – TYPE 251S

1,500 to 2,700 kg



SAP: AE KPL V 251S TOTP AK270

AE V 251S dead centre HBH with AK 270, with elevated jockey wheel flange

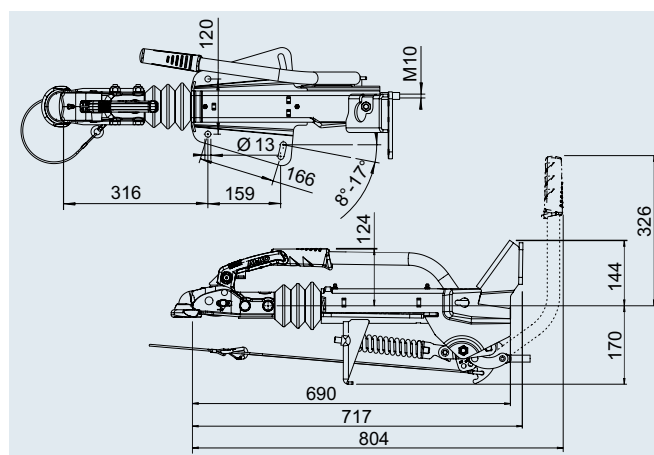
Part No.	Type	Total weight in kg	Nose load in kg	Installation	Changeover relay lever?	Can be combined with AL-KO wheel brake	Hitch mounted				
1731720	251S	1,500–2,700	120	top + bottom	Yes	1637/2051	AK270	18	–	19	2
1731721	251S	1,500–2,700	120	top + bottom	Yes	2361	AK270	18	–	19	20
1731722	251S	1,500–2,700	120	top + bottom	Yes	3062/3081	AK270	18	–	19	20

ECE test report no.

Overrun device: 361-0044-97

ECE type approval no.

Drawbar installation: E1 55R-01 0227



OVERRUN DEVICE V – TYPE 251S

1,500 to 2,700 kg



SAP: AE KPL V 251S TOTP

AE V 251S dead centre HBH without coupling head, with elevated jockey wheel flange

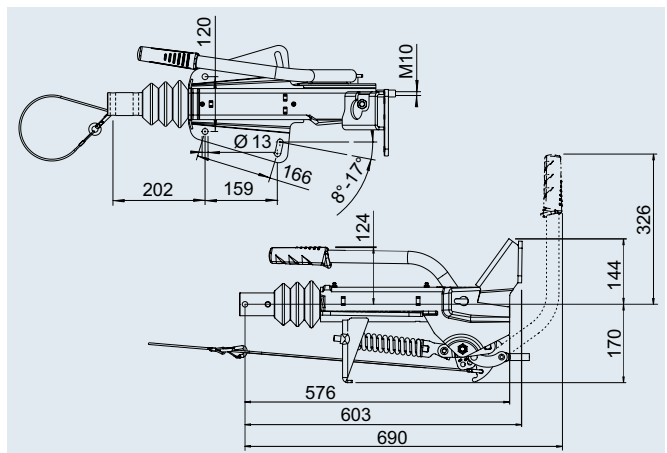
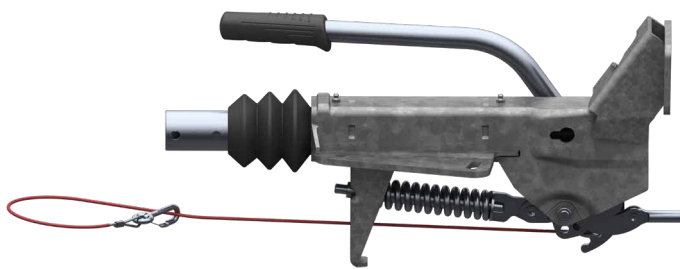
Part No.	Type	Total weight in kg	Nose load in kg	Installation	Changeover relay lever?	Can be combined with AL-KO wheel brake	Hitch mounted				
1731724	251S	1,500–2,700	120	top + bottom	Yes	1637/2051	without	16	–	19	2
1731725	251S	1,500–2,700	120	top + bottom	Yes	2361	without	16	–	19	20
1731726	251S	1,500–2,700	120	top + bottom	Yes	3062/3081	without	16	–	19	20

ECE test report no.

Overrun device: 361-0044-97

ECE type approval no.

Drawbar installation: E1 55R-01 0227



3.5 kg

SAP: ZUGÖSE E30 M SCHRAUBMAT VZ
Drawbar eye UK E30/A Part No. 1224106

3.8 kg

SAP: ZUGÖSE D40 M SCHRAUBMAT VZ
Drawbar eye DIN D40/F Part No. 1213350

3.7 kg

SAP: ZUGÖSE E40 M SCHRAUBMAT VZ
Drawbar eye UK E40/A Part No. 1224107

3.8 kg

SAP: ZUGÖSE I45 M SCHRAUBMAT VZ
Drawbar eye Italy I45/F Part No. 1224108

~~6.7 kg~~

~~SAP: ZUGÖSE D50 M SCHRAUBMAT VZ
Drawbar eye DIN D50 CANNOT BE USED~~

4.3 kg

SAP: ZUGÖSE E50 M SCHRAUBMAT VZ
Drawbar eye UK E50/A Part No. 1224109

5.6 kg

SAP: ZUGÖSE F68 M SCHRAUBMAT VZ
Drawbar eye France F68/E Part No. 1224110

6.0 kg

SAP: ZUGÖSE N76 M SCHRAUBMAT VZ
Drawbar eye NATO N76/E Part No. 1224111

OVERRUN DEVICE V – TYPE 251G

1,550 to 3,000 kg



SAP: AE KPL V 251G TOTP AK301

AE V 251G dead centre HBH with AK 301, without clamp

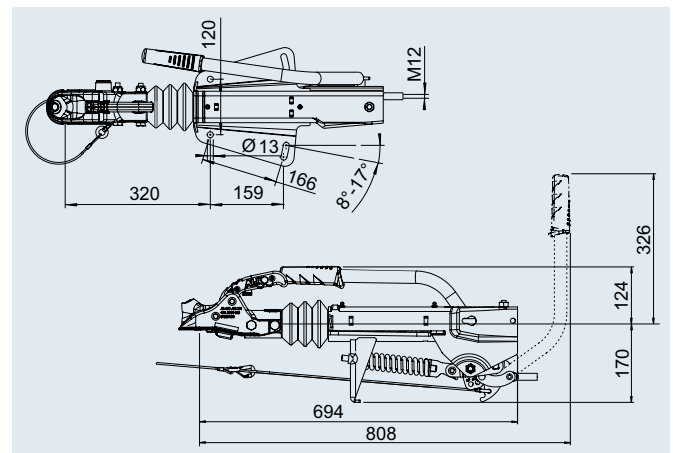
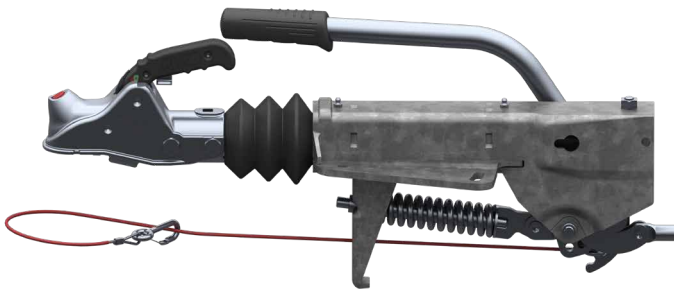
Part No.	Type	Total weight in kg	Nose load in kg	Installation	Changeover relay lever?	Can be combined with AL-KO wheel brake	Hitch mounted				
1731344	251G	1,550 – 3,000	120	top + bottom	Yes	1637/2051	AK301	14	–	24	2
1731727	251G	1,550 – 3,000	120	top + bottom	Yes	2361	AK301	14	–	24	20
1731728	251G	1,550 – 3,000	120	top + bottom	Yes	3062/3081	AK301	14	–	24	20

ECE test report no.

Overrun device: 361-0043-97

ECE type approval no.

Drawbar installation: E1 55R-01 0466



SAP: AE KPL V 251G TOTP AK301

AE V 251G dead centre HBH with AK 301, with bottom part of the clamp

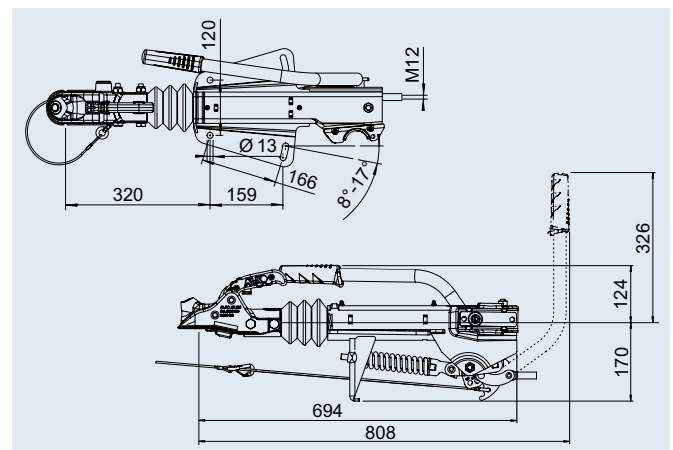
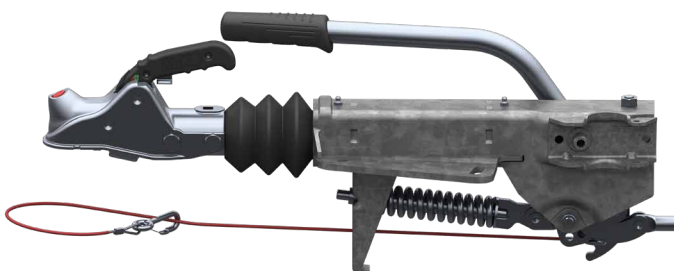
Part No.	Type	Total weight in kg	Nose load in kg	Installation	Changeover relay lever?	Can be combined with AL-KO wheel brake	Hitch mounted				
1731768	251G	1,550 – 3,000	120	top + bottom	Yes	1637/2051	AK301	14	–	21	20
1731769	251G	1,550 – 3,000	120	top + bottom	Yes	2361	AK301	14	–	21	20
1731770	251G	1,550 – 3,000	120	top + bottom	Yes	3062/3081	AK301	14	–	21	20

ECE test report no.

Overrun device: 361-0043-97

ECE type approval no.

Drawbar installation: E1 55R-01 0466



OVERRUN DEVICE V – TYPE 251G

1,550 to 3,000 kg



SAP: AE KPL V 251G TOTP AK301

AE V 251G dead centre HBH with AK 301, with elevated jockey wheel flange

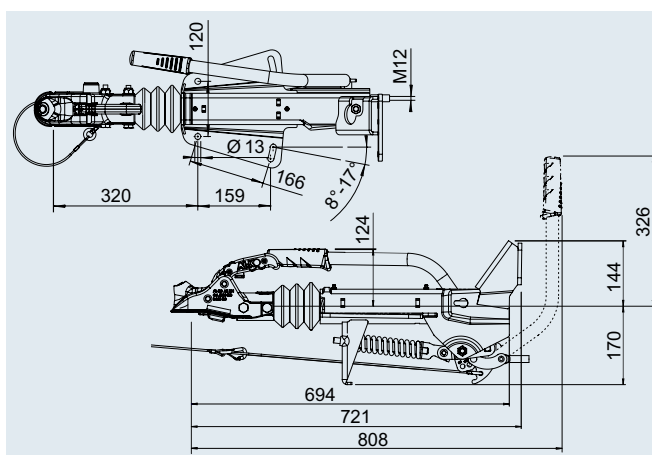
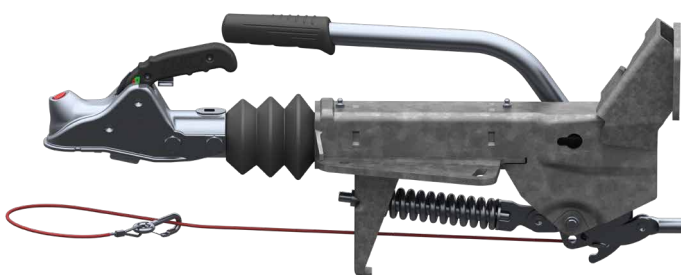
Part No.	Type	Total weight in kg	Nose load in kg	Installation	Changeover relay lever?	Can be combined with AL-KO wheel brake	Hitch mounted				
1731729	251G	1,550 – 3,000	120	top + bottom	Yes	1637/2051	AK301	19	–	19	2
1731730	251G	1,550 – 3,000	120	top + bottom	Yes	2361	AK301	19	–	19	20
1731731	251G	1,550 – 3,000	120	top + bottom	Yes	3062/3081	AK301	19	–	19	20

ECE test report no.

Overrun device: 361-0043-97

ECE type approval no.

Drawbar installation: E1 55R-01 0466



Member of **DEXKO**
GLOBAL

ALOIS KOBER GMBH

Ichenhauser Straße 14
89359 Kötz
Germany
Phone: +49 8221 97-0
info@alko-tech.com
www.alko-tech.com

AL-KO Technology Austria GmbH

Talstraße 150
6284 Ramsau im Zillertal
Austria
Phone: +43 5282 3360 700
vertrieb.at@alko-tech.com
www.alko-tech.com



Visit AL-KO at
facebook.com/alko.professional

Part No. 499717 b | Edition DE 02/2021
Subject to changes in response to technical progress.
No liability accepted for mistakes and printing errors.