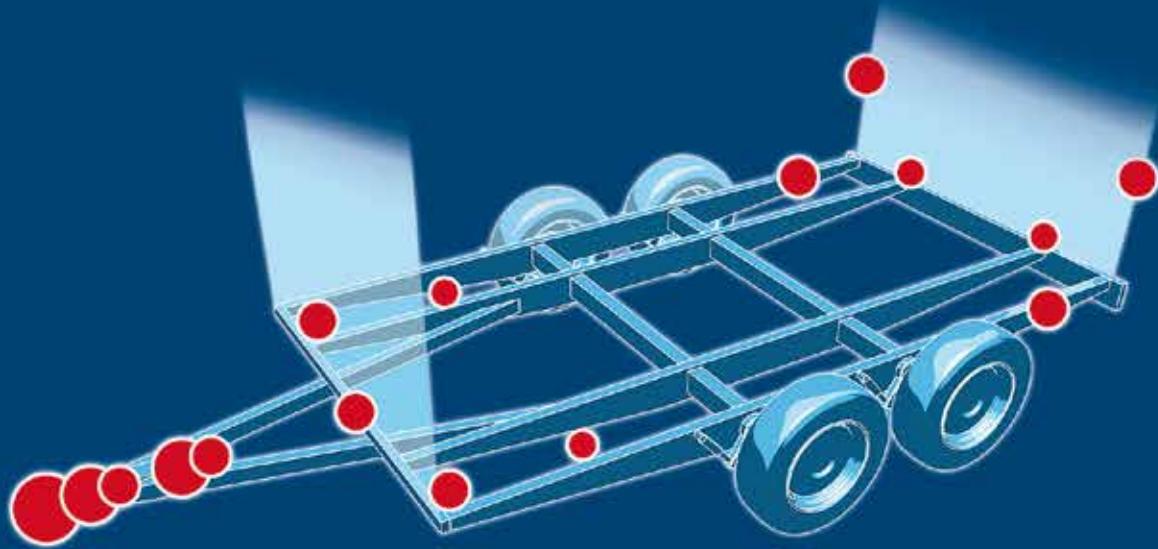




WINTERHOFF

QUALITY TRAILER SYSTEMS



CONNECTING QUALITY!



COMPANY PROFILE

Winterhoff GmbH has two sites in Germany and is a leading manufacturer of safety components for trailers and caravans. Providing the best solutions to the end customer, together with our partners from trade and industry, is essential for us.

The Winterhoff brand maintains a strong market position thanks to the highest quality and modern product developments. Continuity and sustainability, openness and reliability, but still encompassing dynamics and the joy of innovation, these are the values that are experienced both internally and externally. The high quality of Winterhoff is well-known in the industry and is continually affirmed by external awards.

The Winterhoff brand has been part of DexKo Global Inc., the world's largest manufacturer of trailer axles and chassis components in the lightweight sector, since 2016. The company has decades of experience in trailer and caravan components and a turnover of more than 1 billion euros.



CONTENTS

Jockey Wheels

35-48 diam. Jockey wheels
60-70 diam. Jockey wheels
Jockey wheel accessories

Page 4

Page 5 – 10
Page 10 – 15
Page 16 – 21

Prop stands

Prop stands
Extending Prop stands
Prop stands accessories

Page 22

Page 23 – 26
Page 26 – 27
Page 27

Ball couplings

Ball couplings for unbraked trailers
Ball couplings for braked trailers
WS 3000/WS 3500 Stabiliser coupling for braked trailers
Ball couplings accessories

Page 28

Page 28 – 33
Page 33 – 38
Page 39 – 41
Page 42 – 45

Side latches

Page 46



Net weight



GiBo – pallet cage



EWP – one-way pallet



Delivery time in working days

JOCKEY WHEELS

Jockey wheels are used for various applications. Our extensive range of products and features provide a wide selection of options. To identify the correct product for your application, the following symbols specify product group, additional uses and characteristics.



Long design
More adjustment range
(adjustable stroke)



Rotation lock
Prevents loss while driving



Fully automatic
Automatic pivoting
of the wheel



Electrogalvanised
Standard corrosion protection



Anti-slip device
Prevents clamp slipping



Wheel is removable



Hot-dip galvanised
High-quality corrosion protection



Nose load scale
Displays nose load
on the coupling point



Swing arm suspension
Adjusts to uneven ground conditions



**Winding handle
with thrust bearing**
Effortless winding operation



Grease nipple
Ensures smooth operation



Wheel load scale
Displays wheel load on the wheel



Removable winding handle
Removable winding handle prevents
unintentional operation



Manual operation
Pivoting the wheel by hand



Wheel stop
Blocks the wheel



Folding winding handle
Space-saving



Foot operation
Pivoting the wheel by foot

★ BASIC PRODUCT LINE

BASIC products are solid and robust. These products have been developed to offer the basic functional operation required by trailer users and will be suitable for a wide range of applications.

We ensure that these Basic variants also meet our high quality standards and exceed the legal minimum requirements.

★ PLUS PRODUCT LINE

The products in the **Plus** category boast high quality materials, finishing and reliability to ensure long service life. Their high level of stability and smart technical features fulfill the high requirements in the day to day use of trailers.

All products have a greater range of functions and are very user-friendly and appealing in their design.

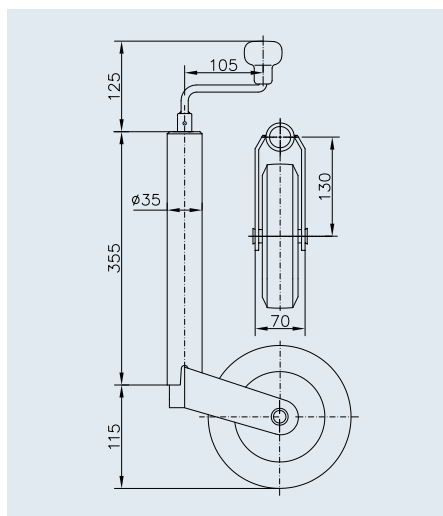
★ PREMIUM PROFI PRODUCT LINE

Premium Profi products offer industry leading design, sophisticated functions and the highest manufacturing quality. They are innovative and traditional products designed to withstand the highest demands and challenging areas

of application. They are gold standard in terms of functions, material and design and offer the longest service life ensuring many years of use in the harshest environments.

JOCKEY WHEELS

Jockey wheel ST 35






Ordering overview

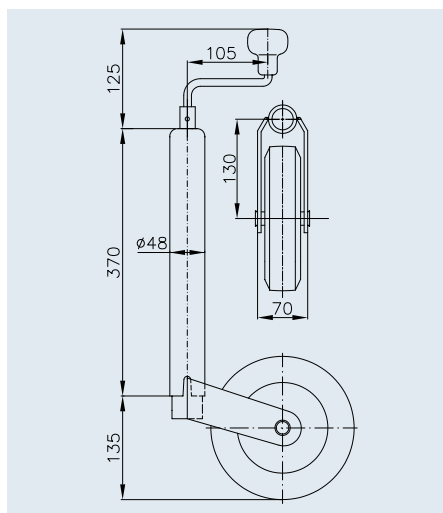
SAP: JOCKEY WHEEL ST 35-160 V

Jockey wheel ST 35-160 V



Order no.	275620 (W 6010)
Exterior tube diam.	Diam. 35 x 2 mm
Rim	Plastic
Wheel	160 x 40 mm, solid rubber
Extended length	220 mm
Static load	75 kg
	2.56 kg
	GiBo 170 / EWP 150
	12




Jockey wheel ST 48

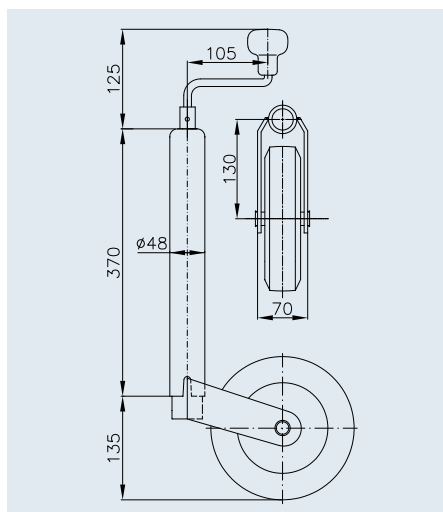


SAP: JOCKEY WHEEL ST 48-200 V

Jockey wheel ST 48-200 V






Order no.	1860904 (W 6030)
Exterior tube diam.	Diam. 48 x 2.5 mm
Rim	Plastic
Wheel	200 x 50 mm, solid rubber
Extended length	220 mm
Static load	150 kg
	4.43 kg
	GiBo 125 / EWP 125
	12



SAP: JOCKEY WHEEL ST 48-200 VB

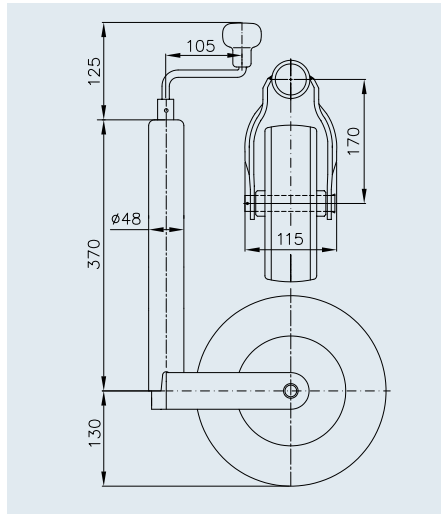
Jockey wheel ST 48-200 VB



Order no.	1860905 (W 6032)
Exterior tube diam.	Diam. 48 x 2.5 mm
Rim	steel
Wheel	200 x 50 mm, solid rubber
Extended length	220 mm
Static load	150 kg
	4.65 kg
	GiBo 125 / EWP 125
	12

JOCKEY WHEELS

Jockey wheel ST 48



Ordering overview

SAP: JOCKEY WHEEL ST 48-260 L

Jockey wheel ST 48-260 L ★

Order no. 1860908 (W 6050)

Exterior tube diam. Diam. 48 x 2.5 mm

Rim Plastic

Wheel 260 x 85 mm, air

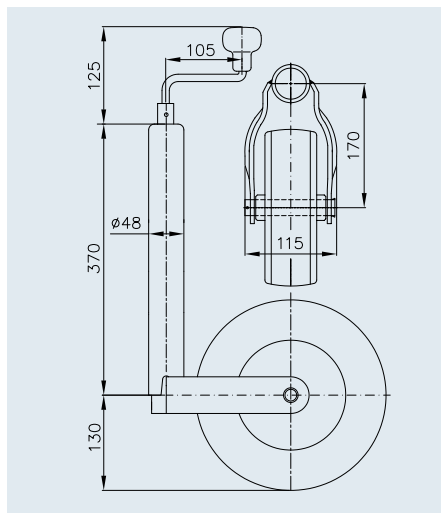
Extended length 210 mm

Static load 150 kg

4.80 kg

GiBo 60 / EWP 60

12



SAP: JOCKEY WHEEL ST 48-260 LB

Jockey wheel ST 48-260 LB ★

Order no. 1860909 (W 6052)

Exterior tube diam. Diam. 48 x 2.5 mm

Rim steel

Wheel 260 x 85 mm, air

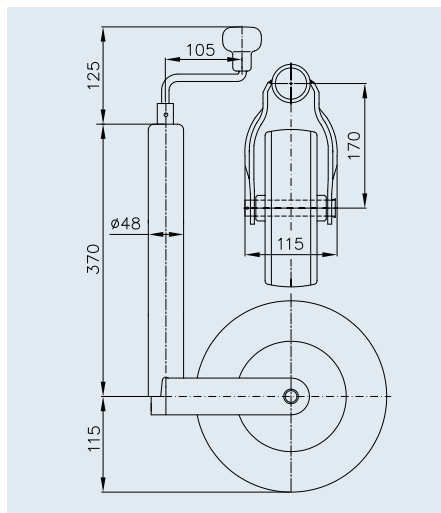
Extended length 210 mm

Static load 150 kg

5.10 kg

GiBo 60 / EWP 60

12



SAP: JOCKEY WHEEL ST 48-255 S

Jockey wheel ST 48-255 S ★

Order no. 1860917 (W 6070)

Exterior tube diam. Diam. 48 x 2.5 mm

Rim Plastic

Wheel 225 x 70 mm, solid rubber

Extended length 210 mm

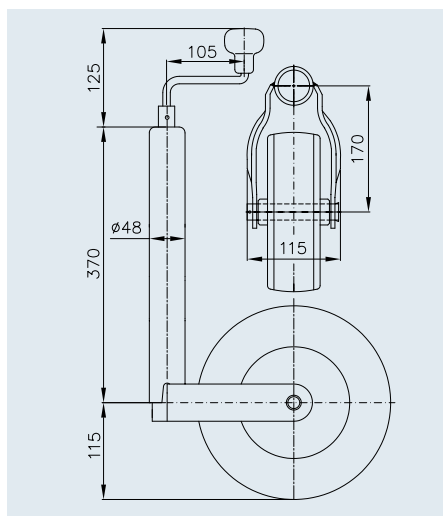
Static load 150 kg

5.54 kg

GiBo 75 / EWP 75

12




Jockey wheel ST 48

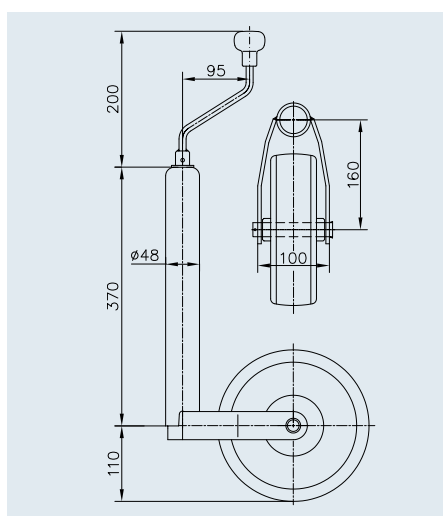
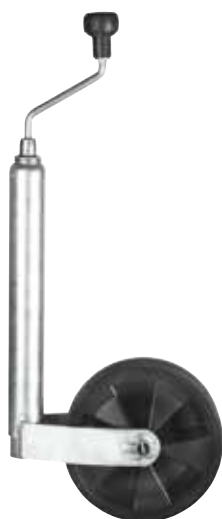


Ordering overview

SAP: JOCKEY WHEEL ST 48-255 SB




Jockey wheel ST 48-255 SB ★

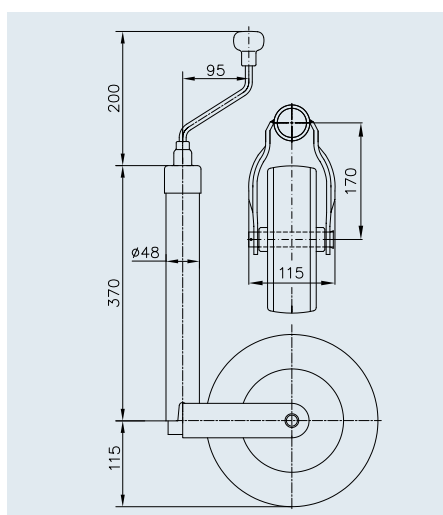
Order no.	1860919 (W 6072)
Exterior tube diam.	Diam. 48 x 2.5 mm
Rim	steel
Wheel	225 x 70 mm, solid rubber
Extended length	210 mm
Static load	150 kg
	5.83 kg
	GiBo 75 / EWP 75
	12



SAP: JOCKEY WHEEL ST 48-C-240 S




Jockey wheel ST 48-C-240 S ★

Order no.	1860912 (W 6065)
Exterior tube diam.	Diam. 48 x 2.5 mm
Rim	Plastic
Wheel	215 x 70 mm, rubber
Extended length	220 mm
Static load	150 kg
	4.51 kg
	GiBo 75 / EWP 75
	12



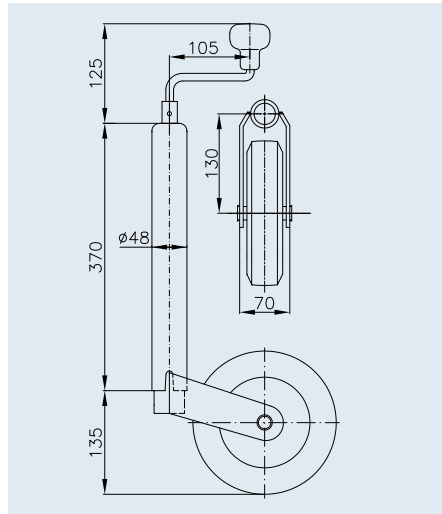
SAP: JOCKEY WHEEL ST 48-CE-240 S

Jockey wheel ST 48-CE-255 SB ★

Order no.	1860911 (W 6063)
Exterior tube diam.	Diam. 48 x 2.5 mm
Rim	steel
Wheel	225 x 70 mm, solid rubber
Extended length	220 mm
Static load	150 kg
	5.91 kg
	GiBo 75 / EWP 70
	12

JOCKEY WHEELS

Jockey wheel ST 48, reinforced design

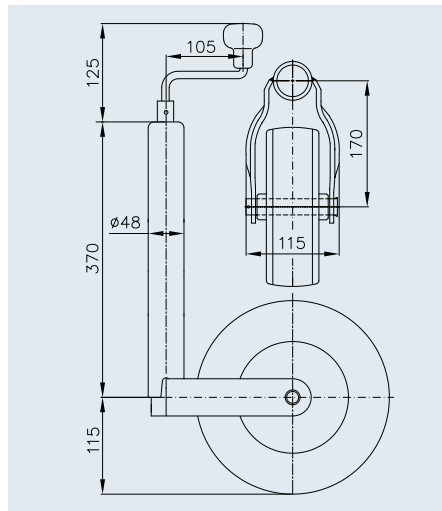


Ordering overview

SAP: JOCKEY WHEEL ST 48-V-200 VB

Jockey wheel ST 48-V-200 VB ★

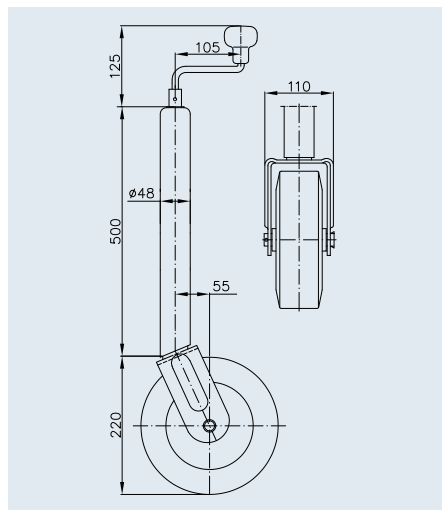
Order no.	1860926 (W 6122)
Exterior tube diam.	Diam. 48 x 3.5 mm
Rim	steel
Wheel	200 x 50 mm, solid rubber
Extended length	230 mm
Static load	200 kg
	5.06 kg
	GiBo 125 / EWP 125
	12



SAP: JOCKEY WHEEL ST 48-V-255 SB

Jockey wheel ST 48-V-255 SB ★

Order no.	1860927 (W 6124)
Exterior tube diam.	Diam. 48 x 3.5 mm
Rim	steel
Wheel	225 x 70 mm, solid rubber
Extended length	230 mm
Static load	200 kg
	6.28 kg
	GiBo 75 / EWP 75
	12



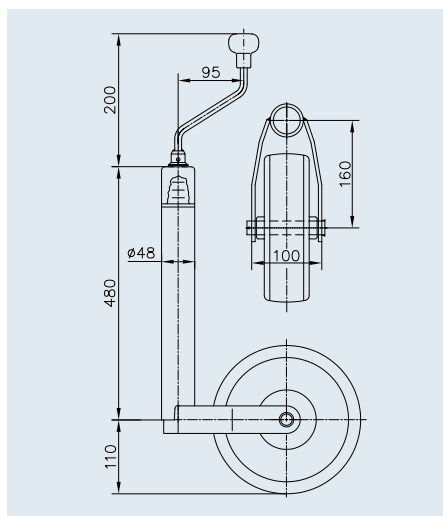
SAP: JOCKEY WHEEL ST 48-VLS-255 SB

Jockey wheel ST 48-VLS-255 SB ★

Order no.	1860871 (W 3432)
Exterior tube diam.	Diam. 48 x 3.5 mm
Rim	steel
Wheel	225 x 70 mm, solid rubber
Extended length	230 mm
Static load	250 kg
	7.60 kg
	GiBo 70 / EWP 70
	12

JOCKEY WHEELS

Jockey wheel ST 48 with integrated nose load indicator

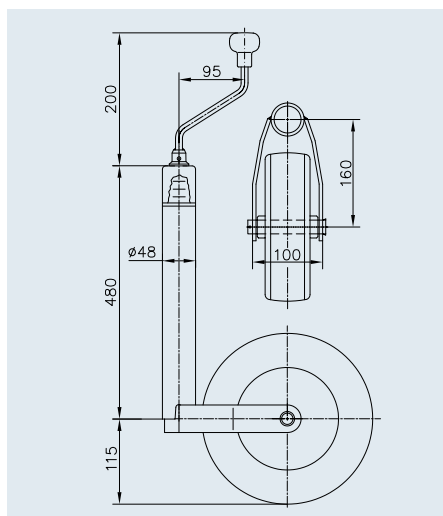


Ordering overview

SAP: JOCKEY WHEEL ST 48-CW-240 S+BA

Jockey wheel ST 48-CW-240 S ★★

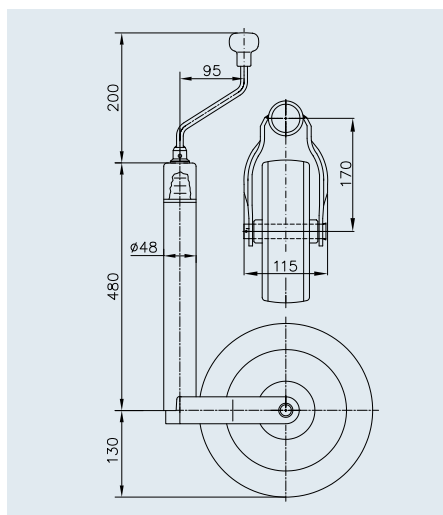
Order no.	1860923 (W 6085)
Exterior tube diam.	Diam. 48 x 2.5 mm
Rim	Plastic
Wheel	215 x 70 mm, rubber
Extended length	220 mm
Static load	150 kg
	5.30 kg
	GiBo 75 / EWP 75
	12



SAP: JOCKEY WHEEL ST 48-CW-255 SB+BA

Jockey wheel ST 48-CW-255 SB+BA ★★

Order no.	1860924 (W 6095)
Exterior tube diam.	Diam. 48 x 2.5 mm
Rim	steel
Wheel	225 x 70 mm, solid rubber
Extended length	220 mm
Static load	150 kg
	6.62 kg
	GiBo 75 / EWP 75
	12



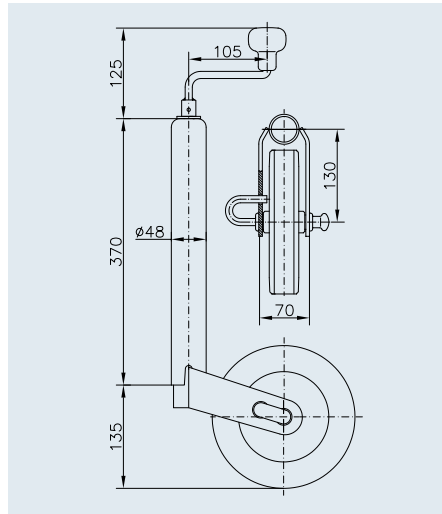
SAP: JOCKEY WHEEL ST 48-CW-260 LB+BA

Jockey wheel ST 48-CW-260 LB ★★

Order no.	1860925 (W 6097)
Exterior tube diam.	Diam. 48 x 2.5 mm
Rim	steel
Wheel	260 x 85 mm, air
Extended length	220 mm
Static load	150 kg
	5.57 kg
	GiBo 60 / EWP 60
	12

JOCKEY WHEELS

Jockey wheel ST 48 with integrated brake function



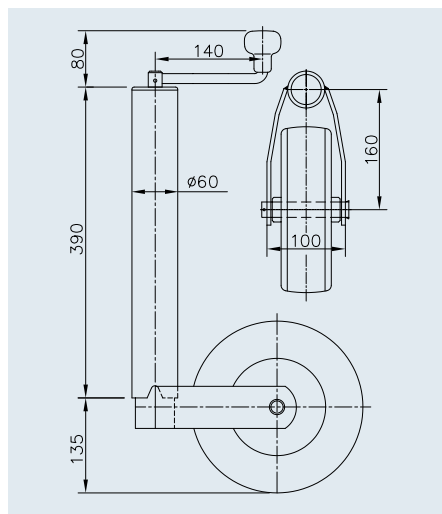
Ordering overview

SAP: JOCKEY WHEEL ST 48-RB-200 V

Jockey wheel ST 48-RB-200 V ★★

Order no.	1860910 (W 6059)
Exterior tube diam.	Diam. 48 x 2.5 mm
Rim	Plastic
Wheel	200 x 50 mm, solid rubber
Extended length	220 mm
Static load	150 kg
	4.60 kg
	GiBo 100 / EWP 100
	12

Jockey wheel ST 60

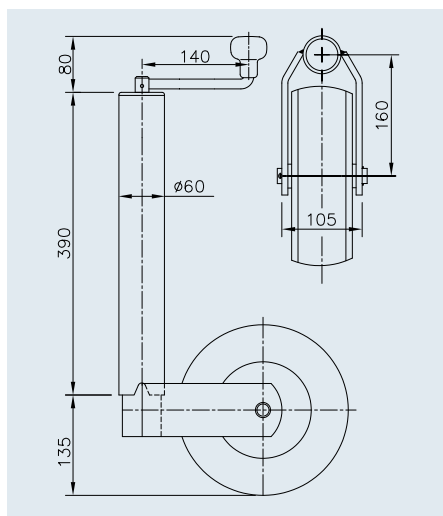


SAP: JOCKEY WHEEL ST 60-255 SB

Jockey wheel ST 60-255 SB ★

Order no.	1861575 (W 4062)
Exterior tube diam.	Diam. 60 x 4 mm
Rim	steel
Wheel	225 x 70 mm, solid rubber
Extended length	230 mm
Static load	250 kg
	7.75 kg
	GiBo 75 / EWP 75
	12




Jockey wheel ST 60, reinforced design

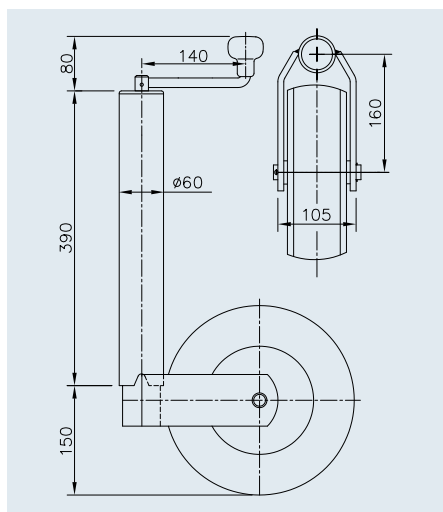


Ordering overview

SAP: JOCKEY WHEEL ST 60-V-255 SB




Jockey wheel ST 60-V-255 SB ★

Order no.	1860889 (W 4066)
Exterior tube diam.	Diam. 60 x 4 mm
Rim	steel
Wheel	225 x 70 mm, solid rubber
Extended length	230 mm
Static load	400 kg
	9.23 kg
	GiBo 70 / EWP 70
	12

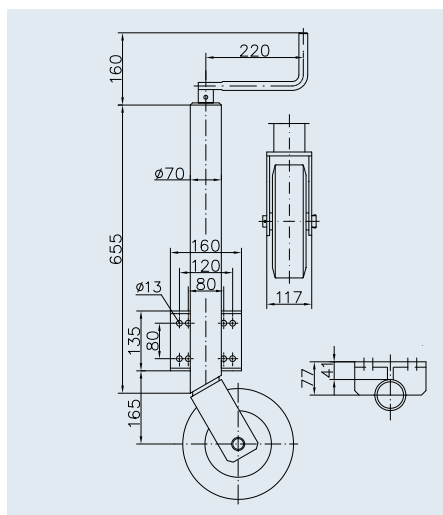


SAP: JOCKEY WHEEL ST 60-V-255 VB

Jockey wheel ST 60-V-255 VB ★




Order no.	1860891 (W 4068)
Exterior tube diam.	Diam. 60 x 4 mm
Rim	steel
Wheel	225 x 80 mm, solid rubber
Extended length	230 mm
Static load	500 kg
	10.65 kg
	GiBo 60 / EWP 60
	12

Jockey wheel ST 70



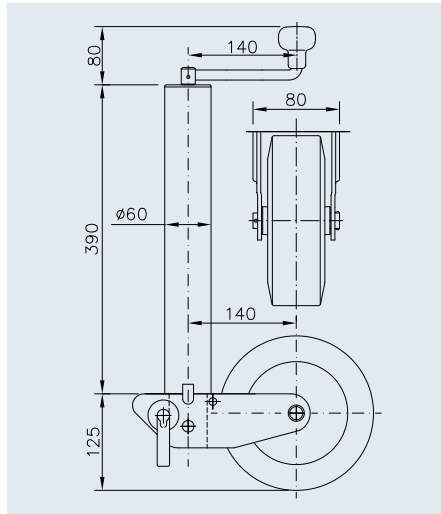
SAP: JOCKEY WHEEL ST 70-L-250 VAR

Jockey wheel ST 70-L-250 VAR ★★

Order no.	1860893 (W 4072)
Exterior tube diam.	Diam. 70 x 4 mm
Rim	steel
Wheel	225 x 80 mm, solid rubber
Extended length	370 mm
Static load	900 kg
	18.50 kg
	GiBo 25 / EWP 25
	12

JOCKEY WHEELS

Jockey wheel K 60 with support semi-automatic

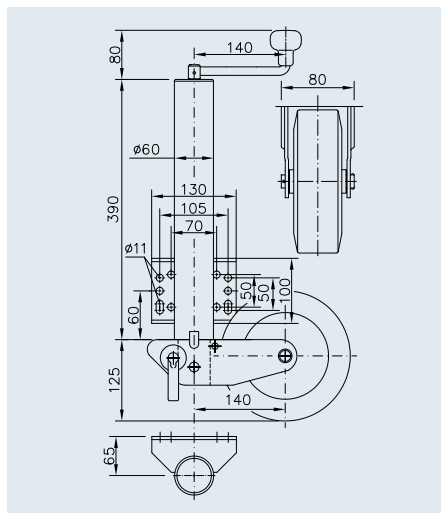


Ordering overview

SAP: JOCKEY WHEEL K 60-200 VB

Jockey wheel K 60-200 VB ★★

Order no.	1860879 (W 4020)
Exterior tube diam.	Diam. 60 x 4 mm
Rim	steel
Wheel	200 x 50 mm, solid rubber
Extended length	180 + 230 mm
Static load	250 kg
	7.99 kg
	GiBo 70 / EWP 70
	12

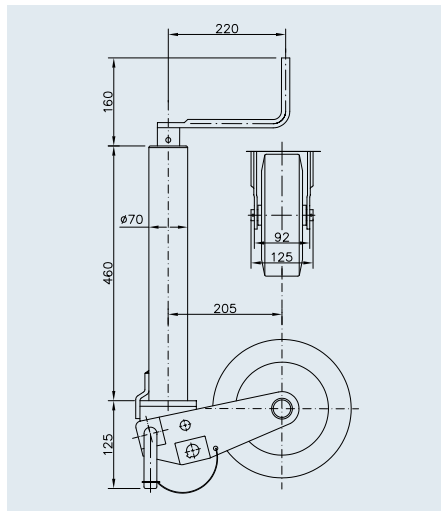


SAP: JOCKEY WHEEL K 60-B-200 VB

Jockey wheel K 60-B-200 VB ★★

Order no.	1860880 (W 4040)
Exterior tube diam.	Diam. 60 x 4 mm
Rim	steel
Wheel	200 x 50 mm, solid rubber
Extended length	180 + 230 mm
Static load	250 kg
	8.80 kg
	GiBo 70 / EWP 70
	12

Jockey wheel K 70 with support semi-automatic

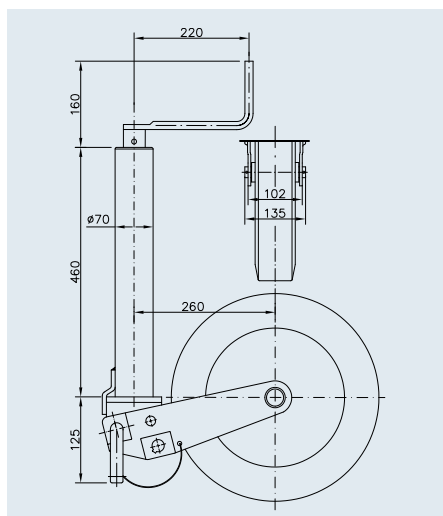


SAP: JOCKEY WHEEL K 70-250 VBR

Jockey wheel K 70-250 VBR ★★

Order no.	1860882 (W 4050)
Exterior tube diam.	Diam. 70 x 4 mm
Rim	steel
Wheel	250 x 60 mm, solid rubber
Extended length	245 + 220 mm
Static load	500 kg
	16.06 kg
	GiBo 25 / EWP 25
	12

Jockey wheel K 70 with support semi-automatic



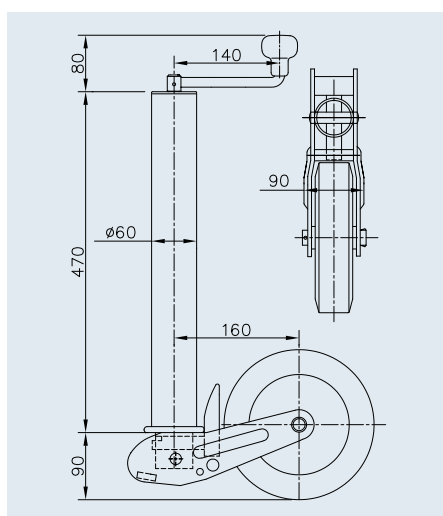
Ordering overview

SAP: JOCKEY WHEEL K 70-400 VBR

Jockey wheel K 70-400 VBR ★★

Order no.	1860886 (W 4058)
Exterior tube diam.	Diam. 70 x 4 mm
Rim	steel
Wheel	400 x 75 mm, solid rubber
Extended length	330 + 220 mm
Static load	600 kg
	19.00 kg
	GiBo 20 / EWP 20
	12

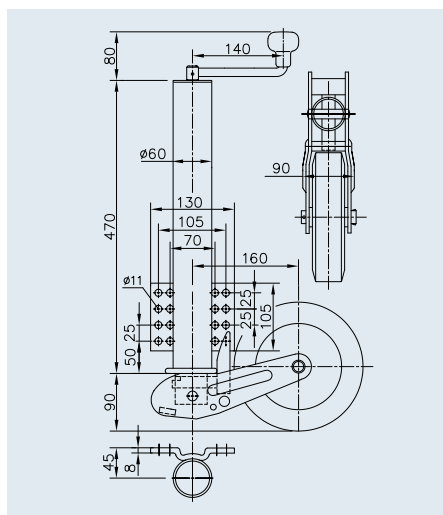
Jockey wheel VK 60 with support fully automatic



SAP: JOCKEY WHEEL VK 60-200 VBB

Jockey wheel VK 60-200 VBB ★★

Order no.	1860872 (W 3820)
Exterior tube diam.	Diam. 60 x 4 mm
Rim	steel
Wheel	200 x 60 mm, solid rubber
Extended length	235 + 235 mm
Static load	250 kg
	9.44 kg
	GiBo 70 / EWP 70
	12



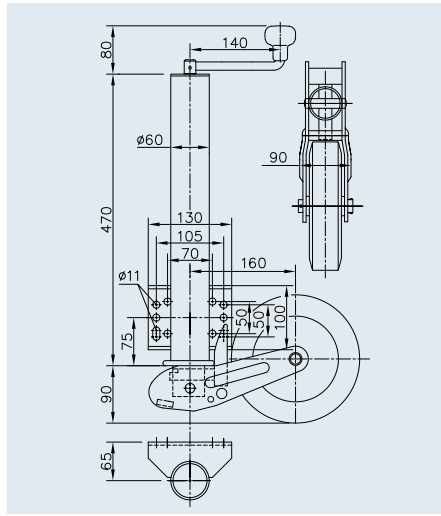
SAP: JOCKEY WHEEL VK 60-KH-200 VBB

Jockey wheel VK 60-KH-200 VBB ★★

Order no.	1860664 (W 6400)
Exterior tube diam.	Diam. 60 x 4 mm
Rim	steel
Wheel	200 x 60 mm, solid rubber
Extended length	235 + 235 mm
Static load	250 kg
	10.09 kg
	GiBo 70 / EWP 70
	12

JOCKEY WHEELS

Jockey wheel VK 60 with support fully automatic

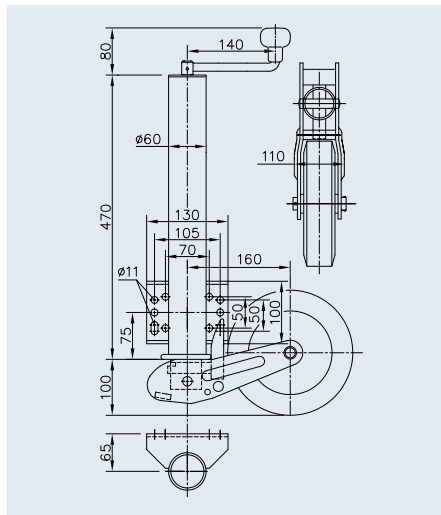


Ordering overview

SAP: JOCKEY WHEEL VK 60-BH-200 VBB

Jockey wheel VK 60-BH-200 VBB ★★

Order no.	1860670 (W 6410)
Exterior tube diam.	Diam. 60 x 4 mm
Rim	steel
Wheel	200 x 60 mm, solid rubber
Extended length	235 + 235 mm
Static load	250 kg
	10.24 kg
	GiBo 70 / EWP 70
	12

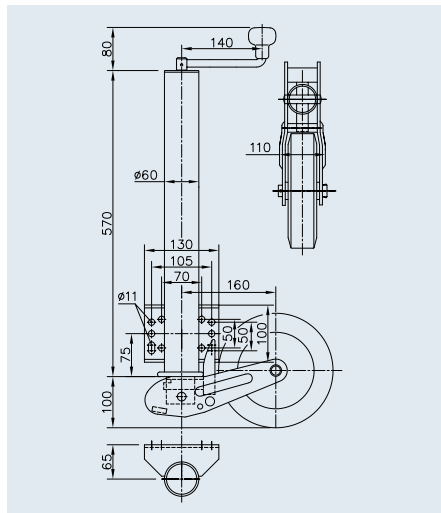


SAP: JOCKEY WHEEL VK 60-BH-255 SB

Jockey wheel VK 60-BH-255 SB ★★

Order no.	1860671 (W 6412)
Exterior tube diam.	Diam. 60 x 4 mm
Rim	steel
Wheel	225 x 70 mm, solid rubber
Extended length	235 + 235 mm
Static load	350 kg
	10.81 kg
	GiBo 60 / EWP 60
	12

Jockey wheel VK 60 with support fully automatic, long design

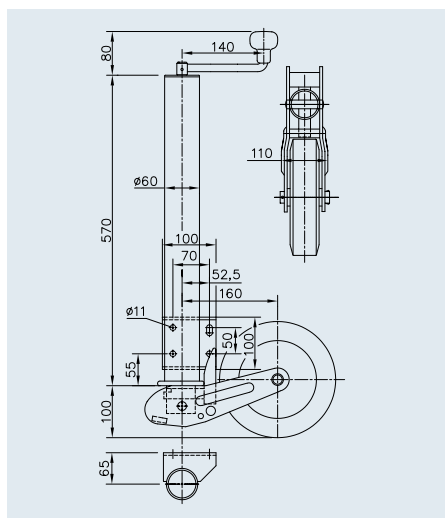


SAP: JOCKEY WHEEL VK 60-BLH-255 SB

Jockey wheel VK 60-BLH-255 SB ★★

Order no.	1860674 (W 6415)
Exterior tube diam.	Diam. 60 x 4 mm
Rim	steel
Wheel	225 x 70 mm, solid rubber
Extended length	235 + 335 mm
Static load	500 kg
	11.99 kg
	GiBo 60 / EWP 55
	12

Jockey wheel VK 60 with support fully automatic, long design



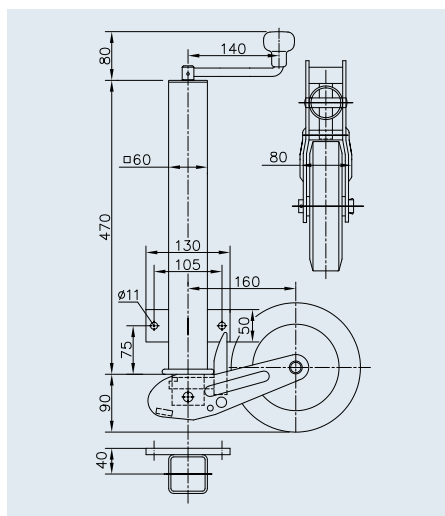
Ordering overview

SAP: JOCKEY WHEEL VK 60-ABLFH-255 SB

Jockey wheel VK 60-ABLFH-255 SB ★★

Order no.	1860675 (W 6420)
Exterior tube diam.	Diam. 60 x 4 mm
Rim	steel
Wheel	225 x 70 mm, solid rubber
Extended length	235 + 335 mm
Static load	400 kg
	11.97 kg
	GiBo 60 / EWP 60
	12

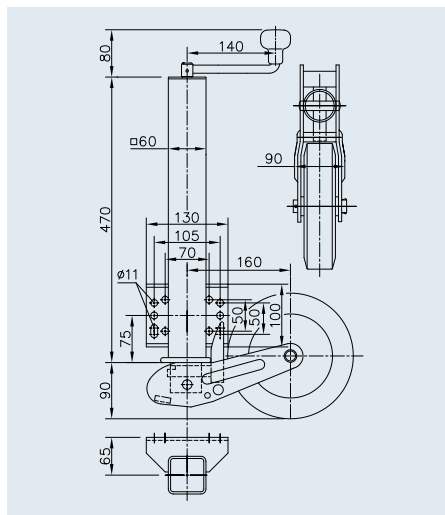
Jockey wheel VK 60 square design with support fully automatic



SAP: JOCKEY WHEEL VK 60-P2H-200 VBB

Jockey wheel VK 60-P2H-200 VBB ★★

Order no.	1860667 (W 6404)
Exterior tube diam.	Diam. 60 x 4 mm
Rim	steel
Wheel	200 x 60 mm, solid rubber
Extended length	235 + 235 mm
Static load	250 kg
	10.43 kg
	GiBo 70 / EWP 70
	12



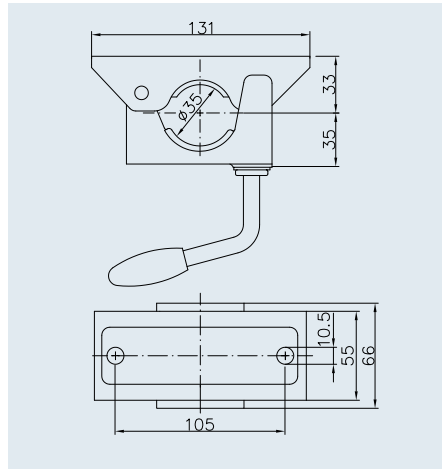
SAP: JOCKEY WHEEL VK 60-PB1-200 VBB

Jockey wheel VK 60-PB1-200 VBB ★★

Order no.	1860877 (W 3861)
Exterior tube diam.	Diam. 60 x 4 mm
Rim	steel
Wheel	200 x 60 mm, solid rubber
Extended length	235 + 235 mm
Static load	250 kg
	10.52 kg
	GiBo 70 / EWP 70
	12

JOCKEY WHEELS – ACCESSORIES

Bracket KLE 35 for exterior tube diam. 35 mm



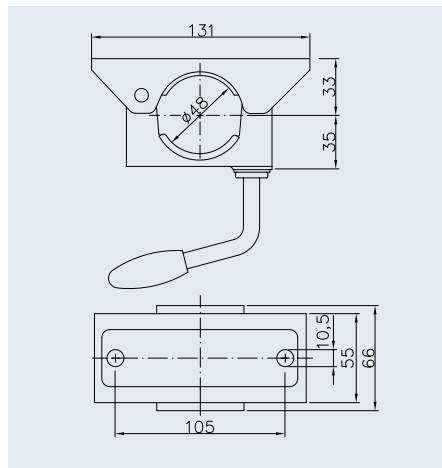
Ordering overview

SAP: JOCKEY WHEEL CLAMP KLE 35

Bracket KLE 35

Order no.	1860640 (W 1810)
for exterior tube diam.	Diam. 35 mm
Static load	75 kg
Base plate	steel
Connection	2-hole
	0.76 kg
	GiBo 1,000 / EWP 1,000
	12

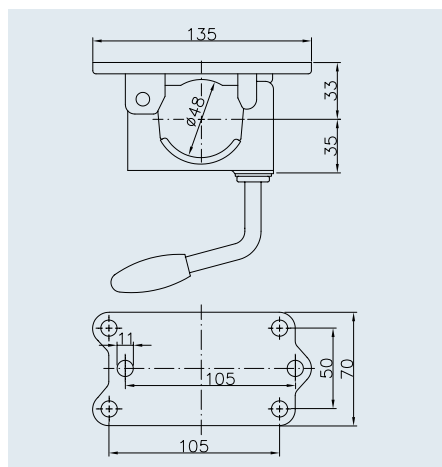
Bracket KLE 48 for exterior tube diam. 48 mm



SAP: JOCKEY WHEEL CLAMP KLE 48

Bracket KLE 48

Order no.	1860644 (W 1819)
for exterior tube diam.	Diam. 48 mm
Static load	250 kg
Base plate	steel
Connection	2-hole
	0.76 kg
	GiBo 1,000 / EWP 1,000
	12

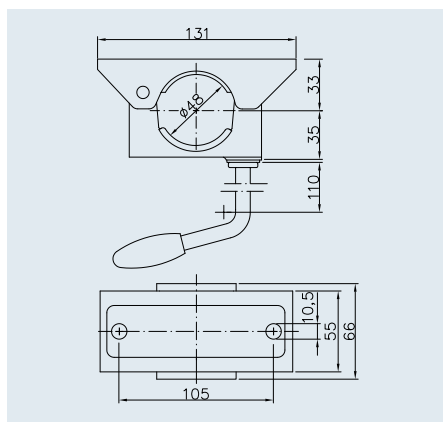


SAP: JOCKEY WHEEL CLAMP KLE 48-G

Bracket KLE 48-G

Order no.	1860656 (W 1844)
for exterior tube diam.	Diam. 48 mm
Static load	250 kg
Base plate	cast-iron
Connection	6-hole
	0.82 kg
	GiBo 1,000 / EWP 1,000
	12

Bracket KLE 48 for exterior tube diam. 48 mm






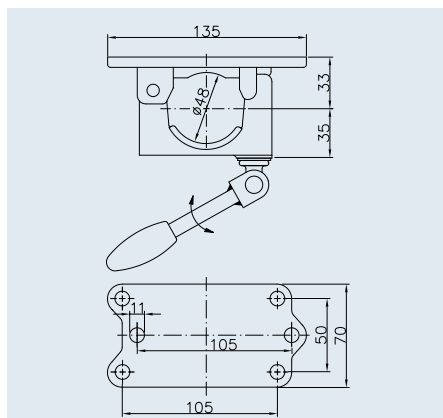
Zn

Ordering overview

SAP: JOCKEY WHEEL CLAMP KLE 48-LK

Bracket KLE 48-LK




Order no.	1860649 (W 1833)
for exterior tube diam.	Diam. 48 mm
Static load	250 kg
Base plate	steel
Connection	2-hole
	0.81 kg
	1,000
	12

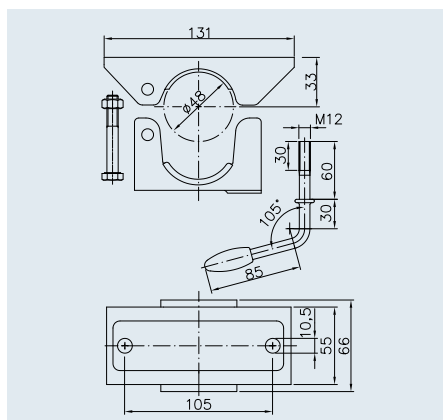


Zn

SAP: JOCKEY WHEEL CLAMP KLE 48-GKK

Bracket KLE 48-GKK




Order no.	1860657 (W 1845)
for exterior tube diam.	Diam. 48 mm
Static load	250 kg
Base plate	cast-iron
Connection	6-hole
	0.90 kg
	750
	12



Zn

SAP: JOCKEY WHEEL CLAMP KLE 48-R

Bracket KLE 48-R

Order no.	1860646 (W 1822)
for exterior tube diam.	Diam. 48 mm
Static load	250 kg
Base plate	Steel, ungalvanised
Connection	2-hole
	0.64 kg
	-
	12




Accessories for bracket KLE 48

Blocking system BS-KLE 48
 secures jockey wheel ST 48 while driving.



SAP: ANTI TURN DEVICE JOCKEY WHEEL 48MM

Blocking system BS-KLE 48

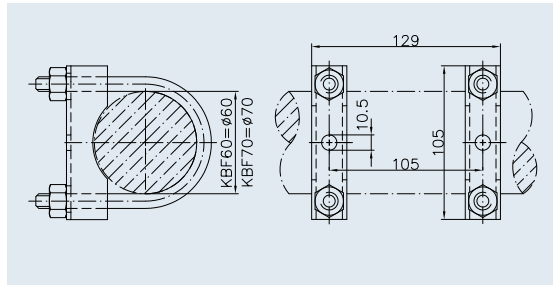
Order no.	1860693 (W 1950)
	0.13 kg
	1,000
	12

JOCKEY WHEELS – ACCESSORIES

Accessories for bracket KLE 48



KBF 60/70



Ordering overview

SAP: BINDER SUPPORT KBF 60 ROUND

Binder support KBF 60 ROUND

Order no.	1860688 (W 1910)
Static load	250 kg
	0.71 kg
	2,000
	12

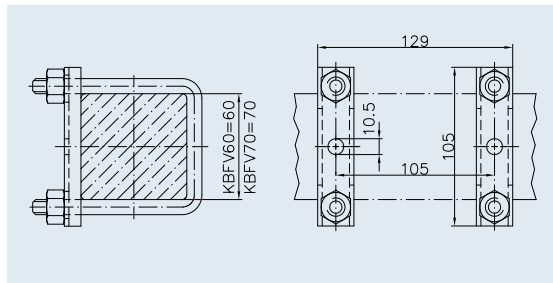
SAP: BINDER SUPPORT KBF 70 ROUND

Binder support KBF 70 ROUND

Order no.	1860690 (W 1912)
Static load	250 kg
	0.71 kg
	2,000
	12



KBFV 60/70



SAP: BINDER SUPPORT KBFV 60 SQUARE

Binder support KBFV 60

Order no.	1860689 (W 1911)
Static load	250 kg
	0.55 kg
	2,000
	12

SAP: BINDER SUPPORT KBFV 70 SQUARE

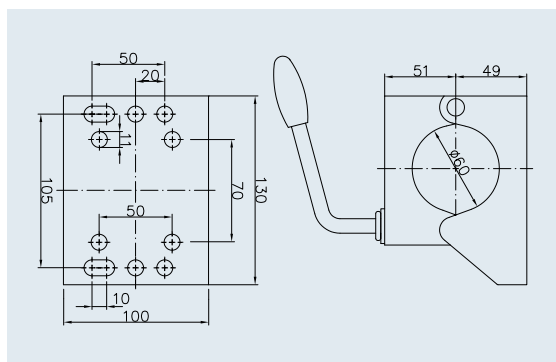
Binder support KBFV 70

Order no.	1860691 (W 1914)
Static load	250 kg
	0.55 kg
	2,000
	12

Bracket KLE 60 for exterior tube diam. 60 mm






Zn



Ordering overview

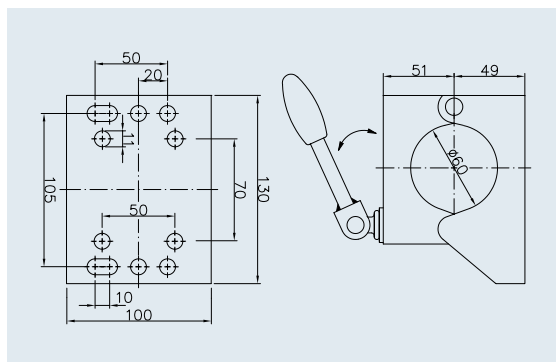
SAP: JOCKEY WHEEL CLAMP KLE 60

Bracket KLE 60

Order no.	1860660 (W 3640)
for exterior tube diam.	Diam. 60 mm
Static load	500 kg
Base plate	steel
Connection	10-hole
	1.56 kg
	200
	12






Zn



SAP: JOCKEY WHEEL CLAMP KLE 60-KK

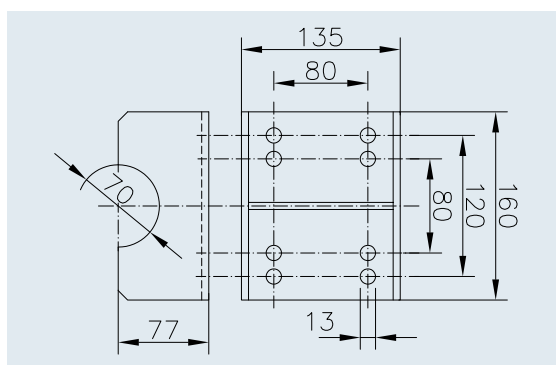
Bracket KLE 60-KK

Order no.	1860662 (W 3643)
for exterior tube diam.	Diam. 60 mm
Static load	500 kg
Base plate	steel
Connection	10-hole
	1.57 kg
	200
	12

Fixing KLE 70 for exterior tube diam. 70 mm






Zn



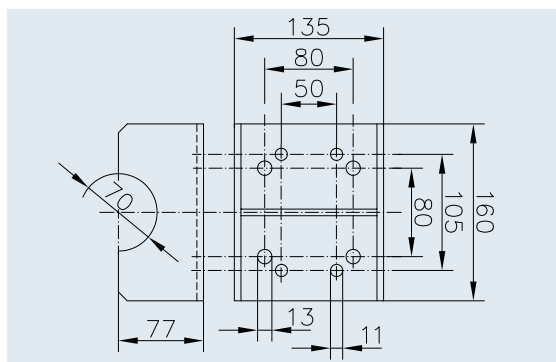
SAP: BINDER 70 SADDLE WELD RAW

Bracket KLE 70

Order no.	1860694 (W 3650)
for exterior tube diam.	Diam. 70 mm
Base plate	steel
Connection	8-hole
	3.26 kg
	150
	12






Zn



SAP: BRACKET KLE 70-105x50

Bracket KLE 70-105x50

Order no.	1861028 (W 3655)
for exterior tube diam.	Diam. 70 mm
Base plate	steel
Connection	8-hole
	3.26 kg
	150
	12

JOCKEY WHEELS – ACCESSORIES




Spare parts for jockey wheels ST, K and VK



Ordering overview

SAP: PREMIUM CAP WW BLACK

Crank cover PREMIUM CAP




Order no.	1860473 (W 6350)
suitable for	ST 60, ST 60-V, K 60, VK 60
	0.04 kg
	–
	12

Spare wheels for jockey wheel ST, K and VK

SAP: JOCKEY WHEEL 160 V

Wheel 160 V






Order no.	1860592 (W 5410)
Wheel	160 x 40 mm, rubber
Rim	Plastic
Hub	Diam. 20 x 58 mm
Static load	75 kg
	0.35 kg
	GiBo 525 / EWP 525
	12

SAP: JOCKEY WHEEL 200X50 SOLID RUBBER 200FK

Wheel 200 V






Order no.	294364 (W 5420)
Wheel	200 x 50 mm, solid rubber
Rim	Plastic
Hub	Diam. 20 x 58 mm
Static load	200 kg
	1.26 kg
	GiBo 500 / EWP 630
	12

SAP: JOCKEY WHEEL 200 VB 200X50 SOLID RUBBER

Wheel 200 VB






Order no.	294365 (W 5422)
Wheel	200 x 50 mm, solid rubber
Rim	steel
Hub	Diam. 20 x 58 mm
Static load	200 kg
	1.45 kg
	GiBo 500 / EWP 500
	12

SAP: JOCKEY WHEEL 200 VBB

Wheel 200 VBB






Order no.	1860506 (W 5424)
Wheel	200 x 60 mm, solid rubber
Rim	steel
Hub	Diam. 20 x 58 mm
Static load	250 kg
	1.77 kg
	GiBo 400 / EWP 500
	12

SAP: JOCKEY WHEEL 225X70 SOLID RUBBER

Wheel 255 S






Order no.	1223374 (W 5450)
Wheel	225 x 70 mm, solid rubber
Rim	Plastic
Hub	Diam. 20 x 88 mm
Static load	250 kg
	1.93 kg
	GiBo 200 / EWP 200
	12

SAP: JOCKEY WHEEL 255 SB 225X70 RUB ST RIM

Wheel 255 SB







Order no.	1223522 (W 5452)
Wheel	225 x 70 mm, solid rubber
Rim	steel
Hub	Diam. 20 x 88 mm
Static load	400 kg
	2.23 kg
	GiBo 200 / EWP 200
	12

Spare wheels for jockey wheel ST, K and VK

SAP: JOCKEY WHEEL 215x65 PLASTIC 240S







Wheel 240 S

Order no.	1211567 (W 5446)
Wheel	215 x 70 mm, rubber
Rim	Plastic
Hub	Diam. 20 x 88 mm
Static load	150 kg
	0.91 kg
 	GiBo 200 / EWP 200
	12

SAP: JOCKEY WHEEL 260 L







Wheel 260 L

Order no.	1860513 (W 5430)
Wheel	260 x 85 mm, air
Rim	Plastic
Hub	Diam. 20 x 88 mm
Static load	200 kg
	0.93 kg
 	GiBo 130 / EWP 130
	12

SAP: JOCKEY WHEEL 260 LB







Wheel 260 LB

Order no.	1860594 (W 5432)
Wheel	260 x 85 mm, air
Rim	steel
Hub	Diam. 20 x 88 mm
Static load	200 kg
	1.18 kg
 	GiBo 130 / EWP 110
	12

SAP: JOCKEY WHEEL 255 VB







Wheel 255 VB

Order no.	1860512 (W 5473)
Wheel	255 x 80 mm, solid rubber
Rim	steel
Hub	Diam. 20 x 88 mm
Static load	500 kg
	3.81 kg
 	GiBo 180 / EWP 180
	12

SAP: JOCKEY WHEEL 250 VBR







Wheel 250 VBR

Order no.	1860509 (W 5472)
Wheel	250 x 60 mm, solid rubber
Rim	steel
Hub	Diam. 25 x 75 mm
Static load	400 kg
	3.51 kg
 	GiBo 150 / EWP 150
	12

SAP: JOCKEY WHEEL 400 VBR



Wheel 400 VBR

Order no.	1860518 (W 5480)
Wheel	400 x 60 mm, solid rubber
Rim	steel
Hub	Diam. 25 x 88 mm
Static load	500 kg
	7.50 kg
 	GiBo 50 / EWP 50
	12

PROP STANDS

Prop stands are used for various applications. Our extensive range of products and features provide a wide selection of options. To identify the correct product for your application, the following symbols specify product group, additional uses and characteristics.



Long design
More adjustment range



Push-on winder
Operation with brace



Pivoting
Pivots by hand, space-saving



Electrogalvanised
Standard corrosion protection



Top winder
Operation with top mounted winding handle



Height adjustment
Additional height adjustment possible by hand



Hot-dip galvanised
High-quality corrosion protection



Side winder
Operation with side mounted winding handle

★ BASIC PRODUCT LINE

BASIC products are solid and robust. These products have been developed to offer the basic functional operation required by trailer users and will be suitable for a wide range of applications.

We ensure that these Basic variants also meet our high quality standards and exceed the legal minimum requirements.

★ PLUS PRODUCT LINE

★ The products in the **Plus** category boast high quality materials, finishing and reliability to ensure long service life. Their high level of stability and smart technical features fulfill the high requirements in the day to day use of trailers.

All products have a greater range of functions and are very user-friendly and appealing in their design.

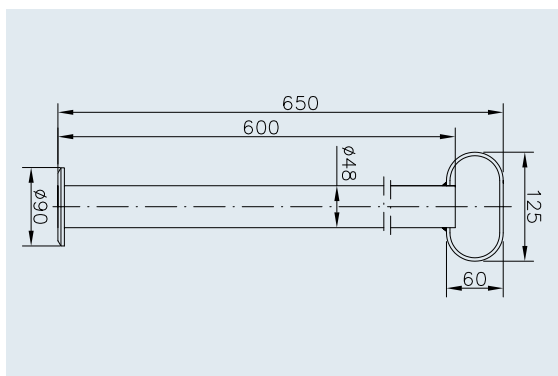
★ PREMIUM PROFI PRODUCT LINE

★ **Premium Profi** products offer industry leading design, sophisticated functions and the highest manufacturing quality. They are innovative and traditional products designed to withstand the highest demands and challenging areas

of application. They are gold standard in terms of functions, material and design and offer the longest service life ensuring many years of use in the harshest environments.

PROP STANDS

Prop stand tubes RSR 48 and ST 48



Ordering overview

SAP: JACKSTAND RSR 48-600

Prop stand tube RSR 48-600 ★

Order no. **1860860** (W 3014)

Exterior tube diam. Diam. 48 x 2.5 mm

Static load 150 kg



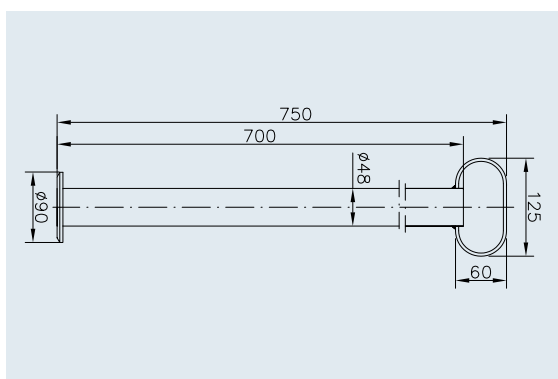
2.07 kg



GiBo 250 / EWP 250



12



SAP: JACKSTAND RSR 48-700

Prop stand tube RSR 48-700 ★

Order no. **1860863** (W 3020)

Exterior tube diam. Diam. 48 x 2.5 mm

Static load 150 kg



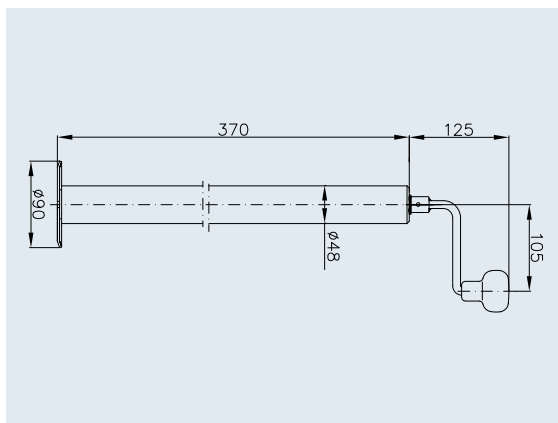
2.26 kg



GiBo 250 / EWP 250



12



SAP: JACKSTAND SPINDL ST 48-90

Prop stand tube ST 48-90 ★

Order no. **1860716** (W 3060)

Exterior tube diam. Diam. 48 x 2.5 mm

Extended length 220 mm

Static load 150 kg



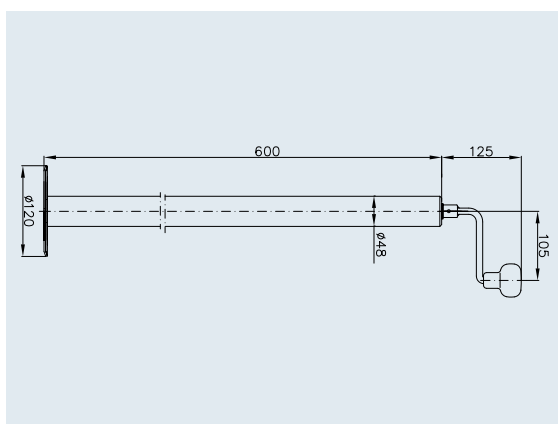
3.00 kg



GiBo 200 / EWP 200



12



SAP: JACKSTAND SPINDL ST 48-120

Prop stand tube ST 48-120 ★

Order no. **1860717** (W 3070)

Exterior tube diam. Diam. 48 x 2.5 mm

Extended length 220 mm

Static load 150 kg



3.99 kg



GiBo 100 / EWP 100

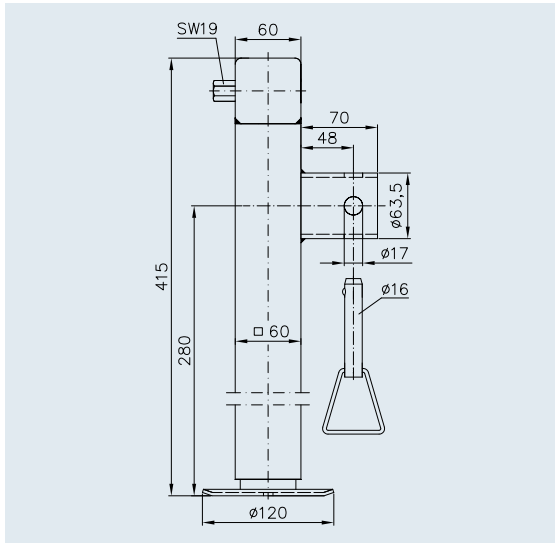


12



PROP STANDS

Swivelling prop stand SF 60 and adapters

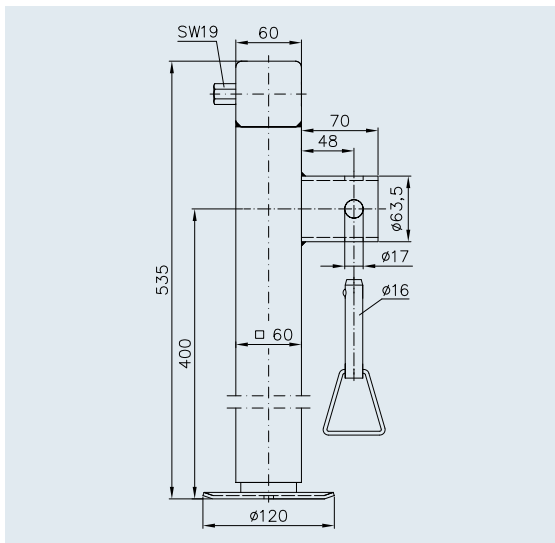


Ordering overview

SAP: JACKSTAND SPINDLE SF 60-19-280 NO CRANK

Swivelling prop stand SF 60-19-280 ★★

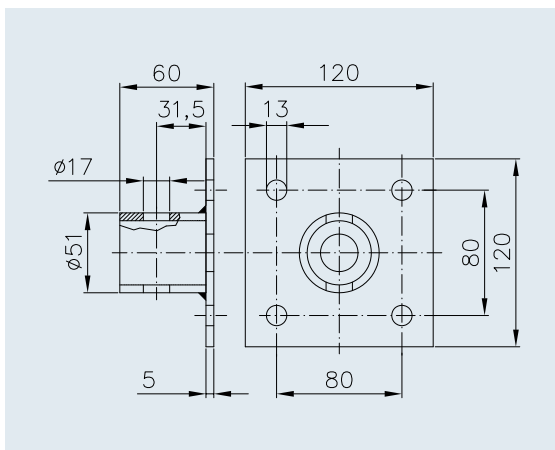
Order no.	1731091 (W 3520)
Exterior tube diam.	Diam. 60 x 4 mm
Extended length	240 mm
Static load	1,300 kg
	6.25 kg
	GiBo 100 / EWP 100
	12



SAP: JACKSTAND SPINDL SF 60-19-400 NO CRANK

Swivelling prop stand SF 60-19-400 ★★

Order no.	1860727 (W 3540)
Exterior tube diam.	Diam. 60 x 4 mm
Extended length	365 mm
Static load	1,300 kg
	7.75 kg
	GiBo 100 / EWP 100
	12

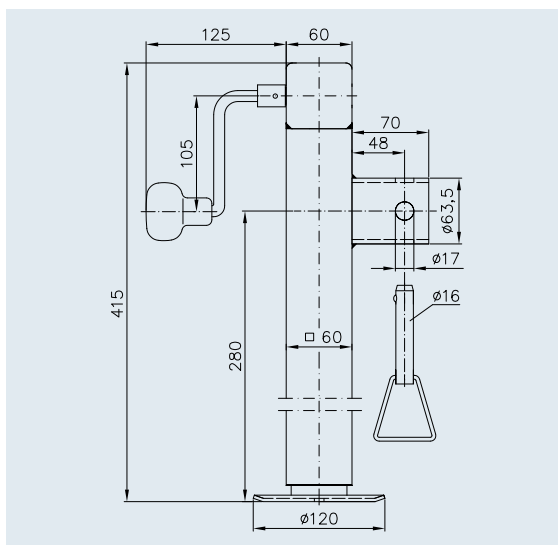


SAP: ADAPTER SF60

Adapter ADAP SF 60

Order no.	1731092 (W 3500)
	0.82 kg
	GiBo 1,000 / EWP 1,000
	12

Swivelling prop stand SF 60 and adapters



Ordering overview

SAP: JACKSTAND SPINDL SF 60-280


Swivelling prop stand SF 60-280 ★★


Order no. **1860720** (W 3510)

Exterior tube diam. Diam. 60 x 4 mm

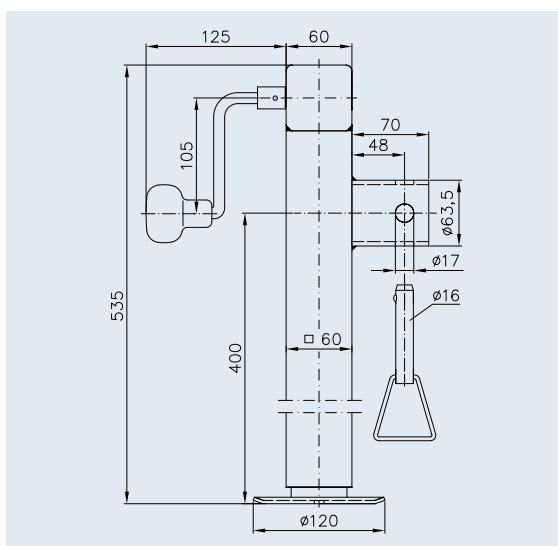
Extended length 240 mm

Static load 1,300 kg

 6.40 kg

 GiBo 100 / EWP 100

 12



SAP: JACKSTAND SPINDL SF 60-400


Swivelling prop stand SF 60-400 ★★

Order no. **1860726** (W 3530)

Exterior tube diam. Diam. 60 x 4 mm

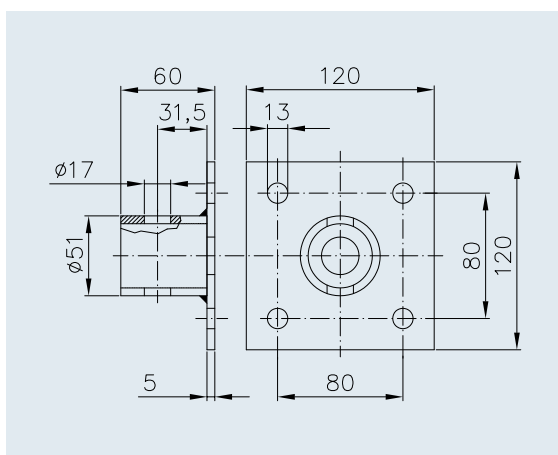
Extended length 365 mm

Static load 1,300 kg

 8.00 kg

 GiBo 100 / EWP 100


 12




SAP: ADAPTER SF60

Adapter ADAP SF 60

Order no. **1731092** (W 3500)

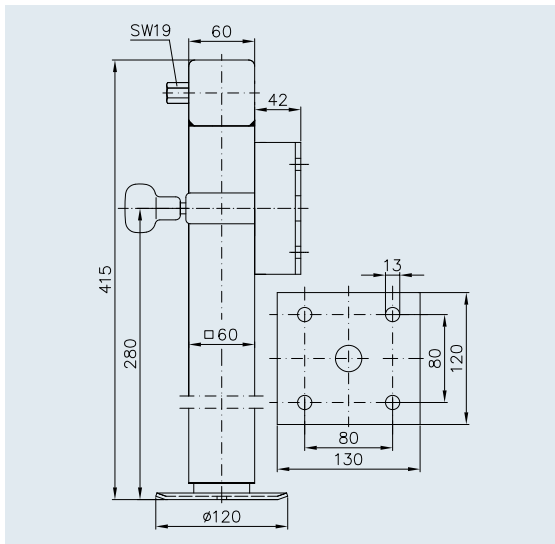
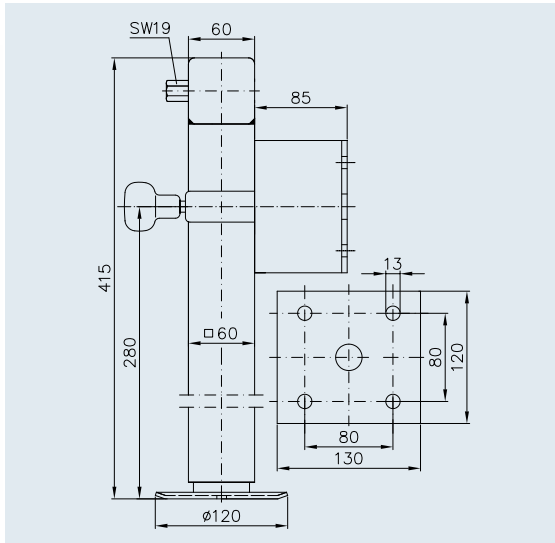
 0.82 kg

 GiBo 1,000 / EWP 1,000

 12

PROP STANDS

Swivelling prop stand SF 60 and adapters



Ordering overview

SAP: JACKSTAND SPINDL SF 60-D85-19-280+ADAP

Swivelling prop stand SF 60-D85-19-280+ADAP ★★

Order no.	1860723 (W 3524)
Exterior tube diam.	Diam. 60 x 4 mm
Extended length	240 mm
Static load	1,300 kg
	7.70 kg
	GiBo 80 / EWP 80
	12



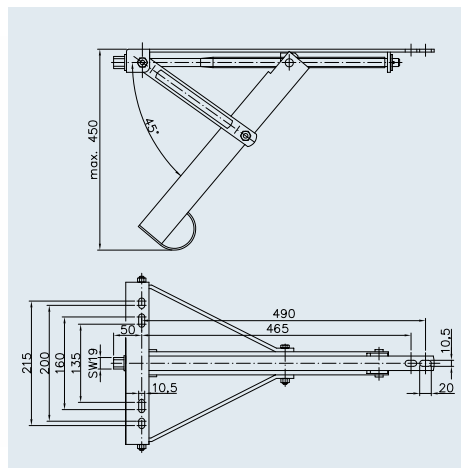
SAP: JACKSTAND SPINDL SF 60-D42-19-280+ADAP

Swivelling prop stand SF 60-D42-19-280+ADAP ★★

Order no.	1860725 (W 3526)
Exterior tube diam.	Diam. 60 x 4 mm
Extended length	240 mm
Static load	1,300 kg
	7.31 kg
	GiBo 80 / EWP 80
	12



Extending steady legs ADS



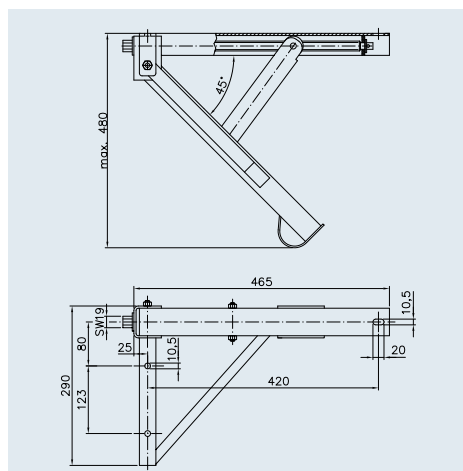
SAP: JACKSTAND SPINDL ADS 460 V

Extending steady legs ADS 460 V ★

Order no.	1860696 (W 4430)
Extended length	450 mm
Load with 4 pcs.	1,800 kg
	4.57 kg
	GiBo 100 / EWP 100
	12



Extending steady legs ADS



Ordering overview

SAP: SUPPORT SPINDLE ADS 480

**Extending steady legs
ADS 480 VL / ADS 480 VR**






Order no. VL 1860698 (W 4440)


Order no. VR 1860699 (W 4442)

Extended length 480 mm

Load with 4 pcs. 2,000 kg

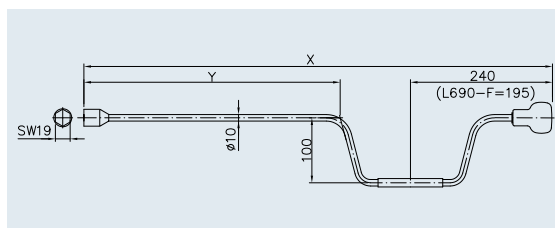
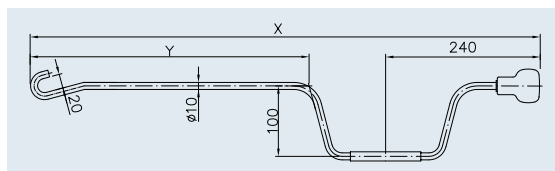
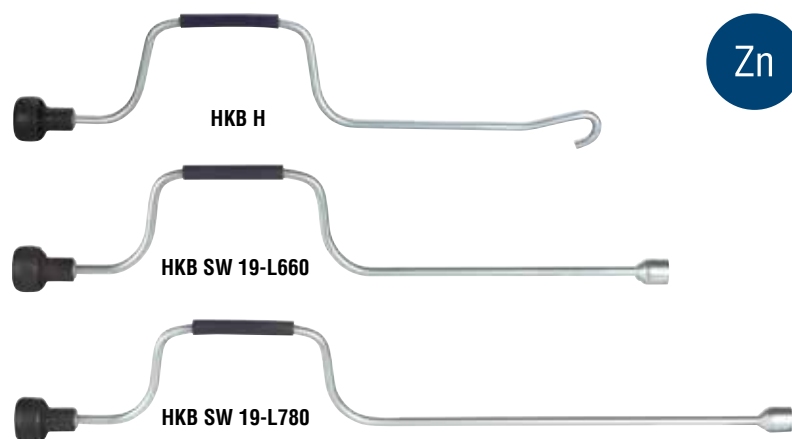
 6.72 kg

  GiBo 75 / EWP 75





 12

PROP STANDS – ACCESSORIES

Winding braces HKB



Ordering overview

	Order no.	Dimension X	Dimension Y				
BRACE KPL HKB H	1860555 (W 4474)	615 mm	285 mm	0.51 kg	700	700	12
BRACE KPL HKB SW 19-L660	1860547 (W 4460)	660 mm	320 mm	0.56 kg	1,000	1,000	12
BRACE KPL HKB SW 19-L690-F	1860550 (W 4466)	690 mm	400 mm	0.57 kg	1,050	1,050	12
BRACE KPL HKB SW 19-L780	1860549 (W 4464)	780 mm	450 mm	0.63 kg	700	700	12
BRACE KPL HKB SW 19-L920	1860551 (W 4467)	920 mm	580 mm	0.72 kg	700	700	12
BRACE KPL HKB SW 19-L870	1860552 (W 4468)	870 mm	540 mm	0.70 kg	700	700	12

BALL COUPLINGS

Ball Couplings are used for various applications. Our extensive range of products and features provide a wide selection of options. To identify the correct product for your application, the following symbols specify product group, additional uses and characteristics.

	<p>Electrogalvanised Standard corrosion protection</p>		<p>No unsuccessful coupling Protects against unsuccessful coupling</p>		<p>Maximum speed more theoretical maximum speed</p>
	<p>Soft touch grip Prevents hands from slipping</p>		<p>Anti-Snaking Cushions snaking movements</p>		<p>Soft dock option Protects the shin and rear of the vehicle</p>
	<p>Coupling indicator Indicator for correct coupling</p>		<p>Anti-pitching Cushions pitching movements</p>		<p>Lock option Anti-theft device against rapid unauthorised access</p>
	<p>Wear indicator Wear indicator for the tow ball</p>		<p>Wear indicator Wear indicator for the friction linings</p>		

★ BASIC PRODUCT LINE

BASIC products are solid and robust. These products have been developed to offer the basic functional operation required by trailer users and will be suitable for a wide range of applications.

We ensure that these Basic variants also meet our high quality standards and exceed the legal minimum requirements.

★ PLUS PRODUCT LINE

★ The products in the **Plus** category boast high quality materials, finishing and reliability to ensure long service life. Their high level of stability and smart technical features fulfill the high requirements in the day to day use of trailers.

All products have a greater range of functions and are very user-friendly and appealing in their design.

★ PREMIUM PROFI PRODUCT LINE

★ **Premium Profi** products offer industry leading design, sophisticated functions and the highest manufacturing quality. They are innovative and traditional products designed to withstand the highest demands and challenging areas

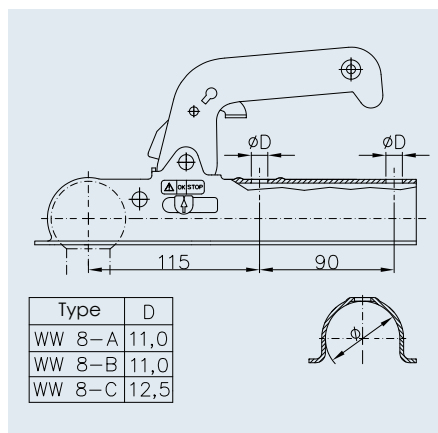
of application. They are gold standard in terms of functions, material and design and offer the longest service life ensuring many years of use in the harshest environments.

BALL COUPLINGS

Ball coupling WW 8 steel up to 800 kg



WW 8-C



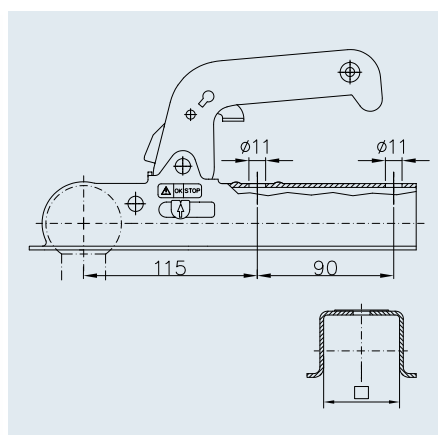
optional + HAL

ECE R55-No.
55R-012211 E1

	Order no.	Drawbar diam.	Trailer load	Nose load	Ball diam.	D/Dc value				
WW 8-A	1860730 (W 1018)	50 mm	800 kg	75 kg	50 mm	7.7 kN	1.23 kg	400	400	12
WW 8-A+HAL	1860731 (W 1019)	50 mm	800 kg	75 kg	50 mm	7.7 kN	1.25 kg	400	400	12
WW 8-B	1860732 (W 1020)	60 mm	800 kg	75 kg	50 mm	7.7 kN	1.22 kg	400	400	12
WW 8-B+HAL	1860733 (W 1021)	60 mm	800 kg	75 kg	50 mm	7.7 kN	1.24 kg	400	400	12
WW 8-C	1860734 (W 1022)	70 mm	800 kg	75 kg	50 mm	7.7 kN	1.24 kg	400	400	12
WW 8-C+HAL	1860735 (W 1023)	70 mm	800 kg	75 kg	50 mm	7.7 kN	1.26 kg	400	400	12



WW 8-H



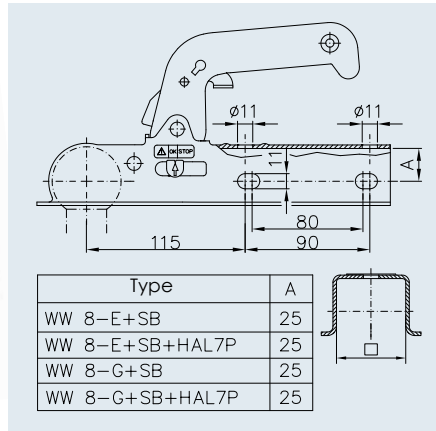
optional + HAL

ECE R55-No.
55R-012211 E1

	Order no.	Drawbar diam.	Trailer load	Nose load	Ball diam.	D/Dc value				
WW 8-D30	1860736 (W 1024)	30 mm	800 kg	75 kg	50 mm	7.7 kN	1.27 kg	400	400	12
WW 8-D40	1860737 (W 1026)	40 mm	800 kg	75 kg	50 mm	7.7 kN	1.27 kg	400	400	12
WW 8-D45+HAL	1860739 (W 1029)	45 mm	800 kg	75 kg	50 mm	7.7 kN	1.29 kg	400	400	12
WW 8-E	1860740 (W 1030)	50 mm	800 kg	75 kg	50 mm	7.7 kN	1.25 kg	400	400	12
WW 8-E+HAL	1860741 (W 1031)	50 mm	800 kg	75 kg	50 mm	7.7 kN	1.27 kg	400	400	12
WW 8-G	1860742 (W 1032)	60 mm	800 kg	75 kg	50 mm	7.7 kN	1.27 kg	400	400	12
WW 8-G+HAL	1860743 (W 1033)	60 mm	800 kg	75 kg	50 mm	7.7 kN	1.29 kg	400	400	12
WW 8-H	1860744 (W 1034)	70 mm	800 kg	75 kg	50 mm	7.7 kN	1.31 kg	400	400	12
WW 8-H+HAL	1860745 (W 1035)	70 mm	800 kg	75 kg	50 mm	7.7 kN	1.33 kg	400	400	12

BALL COUPLINGS

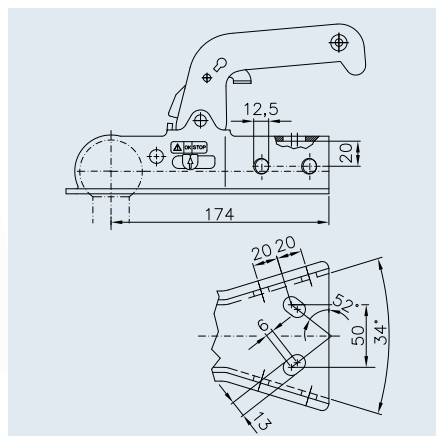
Ball coupling WW 8 steel up to 800 kg



optional + HAL

ECE R55-No.
55R-012211 E1

	Order no.	Drawbar diam.	Trailer load	Nose load	Ball diam.	D/Dc value				
WW 8-E+SB	1860748 (W 1039)	50 mm	800 kg	75 kg	50 mm	7.7 kN	1.25 kg	400	400	12
WW 8-E+SB+HAL	1860749 (W 1041)	50 mm	800 kg	75 kg	50 mm	7.7 kN	1.27 kg	400	400	12
WW 8-G+SB	1860747 (W 1038)	60 mm	800 kg	75 kg	50 mm	7.7 kN	1.27 kg	400	400	12
WW 8-G+SB+HAL	1860746 (W 1037)	60 mm	800 kg	75 kg	50 mm	7.7 kN	1.29 kg	400	400	12

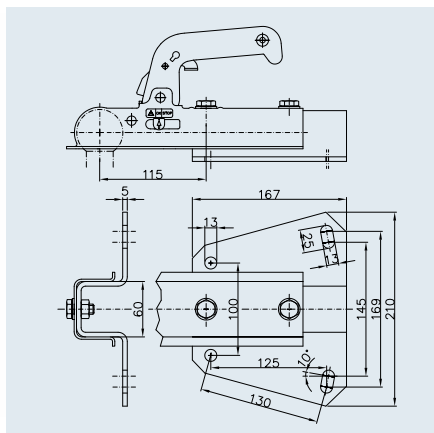


incl. + HAL

ECE R55-No.
55R-012211 E1





	Order no.	Drawbar	Trailer load	Nose load	Ball diam.	D/Dc value				
WW 8-Y+HAL	1860750 (W 1044)	V-drawbar	800 kg	75 kg	50 mm	7.7 kN	1.49 kg	400	400	12

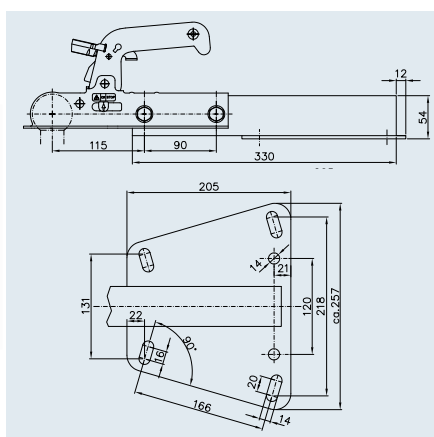
Ball coupling WW 8 with V-adapter up to 800 kg



optional + HAL





ECE R55-No.
55R-012211 E1

	Order no.	Drawbar	Trailer load	Nose load	Ball diam.	D/Dc value				
WW 8-G+V-ADAPTER	1860752 (W 1050)	V-drawbar	800 kg	75 kg	50 mm	7.7 kN	3.05 kg	—	200	12



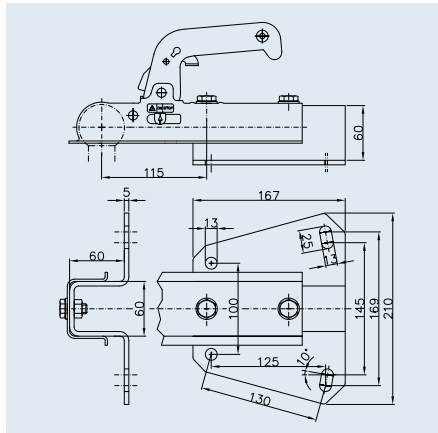
incl. + HAL

ECE R55-No.
55R-012211 E1

	Order no.	Drawbar	Trailer load	Nose load	Ball diam.	D/Dc value				
WW 8-E+SB +VL-ADAP+HAL	1860751 (W 1055)	V-drawbar	800 kg	75 kg	50 mm	7.7 kN	3.78 kg	—	100	12

BALL COUPLINGS

Ball coupling WW 150 with V-adapter up to 1,500 kg

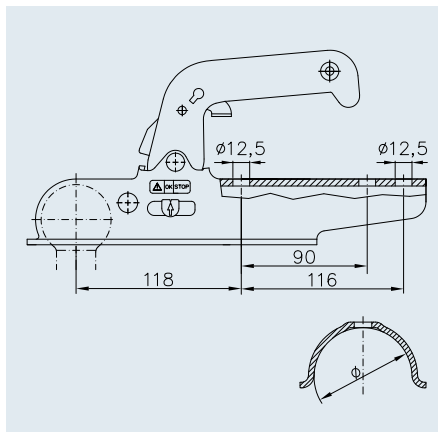


optional + HAL

ECE R55-No.
012009 E1

	Order no.	Drawbar	Trailer load	Nose load	Ball diam.	D/Dc value				
WW 150-VF +V-ADAPTER	1860764 (W 1167)	V-drawbar	1,500 kg	100 kg	50 mm	14.1 kN	3.778 kg	-	200	12

Ball coupling WW 150 steel up to 1,500 kg



optional + HAL

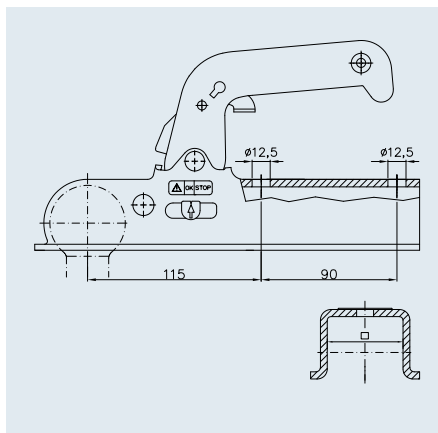
ECE R55-No.
55R-010376 E1

	Order no.	Drawbar diam.	Trailer load	Nose load	Ball diam.	D/Dc value				
WW 150-RG	1860761 (W 1164)	70 mm	1,500 kg	100 kg	50 mm	14.1 kN	1.69 kg	-	400	12

Ball coupling WW 150 steel up to 1,500 kg



WW 150-VF



optional + HAL

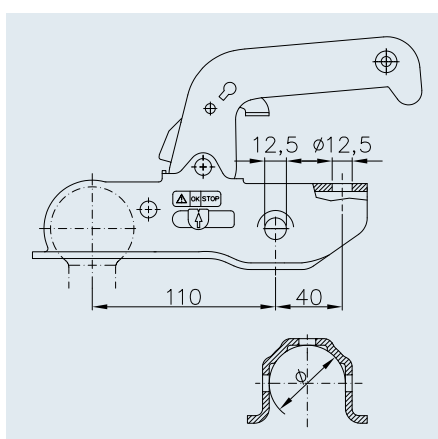
ECE R55-No.
55R-010434 E1

	Order no.	Drawbar diam.	Trailer load	Nose load	Ball diam.	D/Dc value				
WW 150-VF+HAL	1860762 (W 1165)	60 mm	1,500 kg	100 kg	50 mm	14.1 kN	1.74 kg	–	400	12
WW 150-VF	1860763 (W 1166)	60 mm	1,500 kg	100 kg	50 mm	14.1 kN	1.74 kg	–	400	12
WW 150-VG	1860765 (W 1168)	70 mm	1,500 kg	100 kg	50 mm	14.1 kN	1.74 kg	–	400	12
WW 150-VG+HAL	1860766 (W 1169)	70 mm	1,500 kg	100 kg	50 mm	14.1 kN	1.74 kg	–	400	12

Ball coupling WW 13 – WW 150 steel up to 1,500 kg



WW 13-N



	Order no.	Drawbar diam.	Trailer load	Nose load	Ball diam.	D/Dc value				
WW 13-N ¹⁾	1860759 (W 1100)	45–46 mm	1,500 kg	100 kg	50 mm	14.1 kN	1.36 kg	–	400	12
WW 150-RB ²⁾	1860760 (W 1162)	50–51 mm	1,500 kg	100 kg	50 mm	14.1 kN	1.41 kg	–	400	12

¹⁾ ECE R55-No. 55R-011086 E1

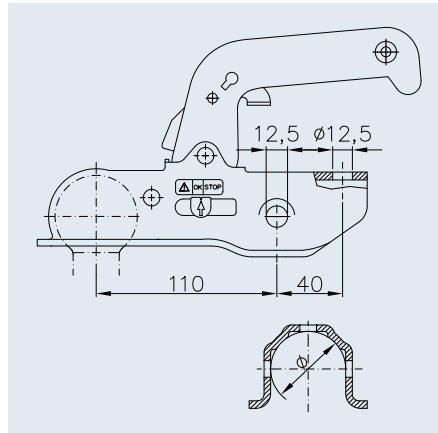
²⁾ ECE R55-No. 55R-010376 E1

BALL COUPLINGS

Ball coupling WW 220 steel up to 2,200 kg



WW 220-RA



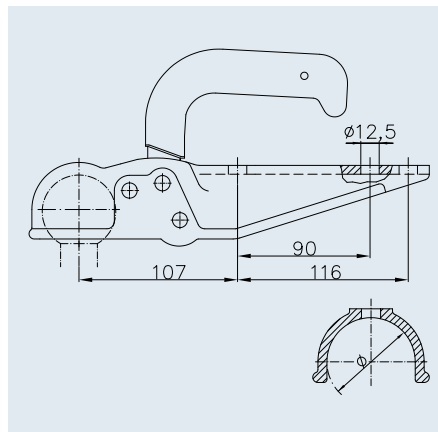
ECE R55-No.
55R-010399 E1

	Order no.	Drawbar diam.	Trailer load	Nose load	Ball diam.	D/Dc value				
WW 220-RA	1861584 (W 1170)	45–46 mm	2,200 kg	100 kg	50 mm	20.2 kN	1.77 kg	–	400	12
WW 220-RB	1861585 (W 1172)	50–51 mm	2,200 kg	100 kg	50 mm	20.2 kN	1.77 kg	–	400	12

Ball coupling WW 20 cast iron up to 2,000 kg



WW 20-F2



ECE R55-No.
55R-012251 E1

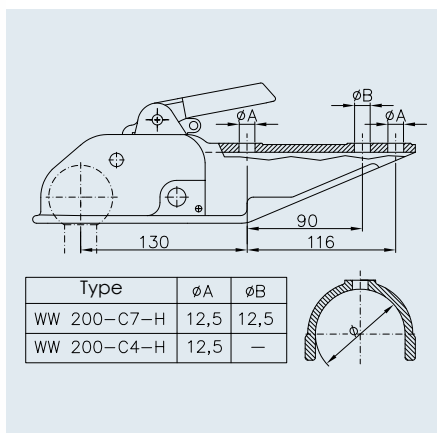
	Order no.	Drawbar diam.	Trailer load	Nose load	Ball diam.	D/Dc value				
WW 20-F4	1860789 (W 1070)	50 mm	2,000 kg	100 kg	50 mm	18.5 kN	1.69 kg	350	300	12
WW 20-F1	1860790 (W 1074)	60 mm	2,000 kg	100 kg	50 mm	18.5 kN	1.69 kg	350	300	12
WW 20-F2	1860791 (W 1078)	70 mm	2,000 kg	100 kg	50 mm	18.5 kN	1.69 kg	350	300	12

Ball coupling WW 200 cast iron up to 3,000 kg

Hole for commercial padlock



WW 200-C7-H



Zn



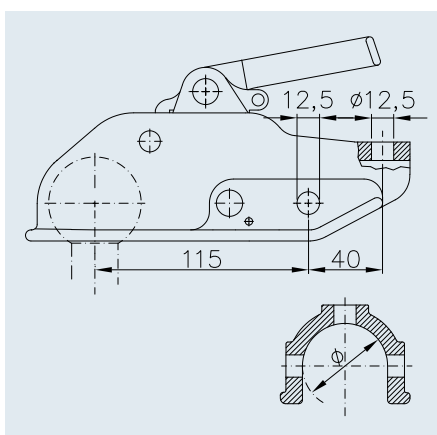
ECE R55-No.
55R-010338 E1

	Order no.	Drawbar diam.	Trailer load	Nose load	Ball diam.	D/Dc value				
WW 200-C7-H	1860792 (W 1082)	70 mm	3,000 kg	150 kg	50 mm	27.0 kN	3.38 kg	300	250	12
WW 200-C4-H	1860793 (W 1086)	80 mm	3,000 kg	150 kg	50 mm	27.0 kN	3.65 kg	300	250	12

Hole for commercial padlock



WW 200-B3-H



Zn

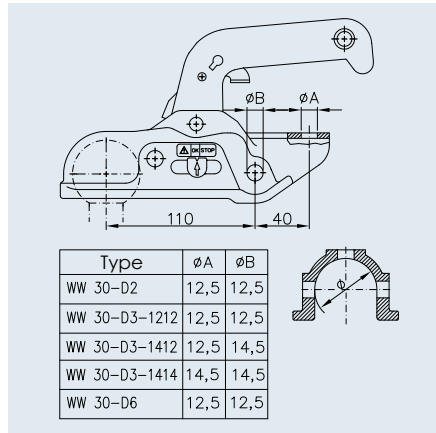


ECE R55-No.
55R-010338 E1

	Order no.	Drawbar diam.	Trailer load	Nose load	Ball diam.	D/Dc value				
WW 200-B3-H	1860812 (W 1260)	45–46 mm	3,000 kg	150 kg	50 mm	27.0 kN	2.98 kg	350	300	12
WW 200-B5-H	1860813 (W 1270)	50–51 mm	3,000 kg	150 kg	50 mm	27.0 kN	3.24 kg	350	300	12

BALL COUPLINGS

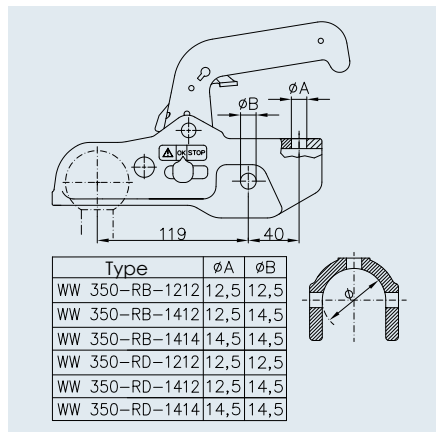
Ball coupling WW 30 cast iron up to 3,000 kg



ECE R55-No.
55R-010640 E1

	Order no.	Drawbar diam.	Trailer load	Nose load	Ball diam.	D/Dc value				
WW 30-D2	1860795 (W 1135)	45–46 mm	3,000 kg	150 kg	50 mm	27.0 kN	2.36 kg	–	400	12
WW 30-D3-1212	1860798 (W 1140)	50–51 mm	3,000 kg	150 kg	50 mm	27.0 kN	2.38 kg	–	400	12
WW 30-D3-1412	1860799 (W 1142)	50–51 mm	3,000 kg	150 kg	50 mm	27.0 kN	2.38 kg	–	400	12
WW 30-D3-1414	1860800 (W 1144)	50–51 mm	3,000 kg	150 kg	50 mm	27.0 kN	2.38 kg	–	400	12
WW 30-D6	1860802 (W 1148)	60 mm	3,000 kg	150 kg	50 mm	27.0 kN	2.42 kg	–	400	12

Ball coupling WW 350 cast iron up to 3,500 kg



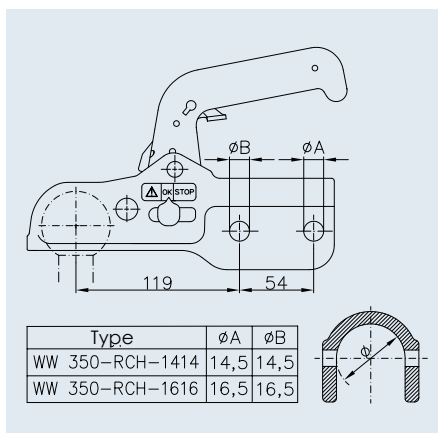
ECE R55-No.
55R-010380 E1

	Order no.	Drawbar diam.	Trailer load	Nose load	Ball diam.	D/Dc value				
WW 350-RB-1212	1860803 (W 1180)	50 mm	3,500 kg	200 kg	50 mm	31.0 kN	3.40 kg	–	400	12
WW 350-RB-1412	1860804 (W 1181)	50 mm	3,500 kg	200 kg	50 mm	31.0 kN	3.40 kg	–	400	12
WW 350-RB-1414	1860805 (W 1182)	50 mm	3,500 kg	200 kg	50 mm	31.0 kN	3.40 kg	–	400	12
WW 350-RD-1212	1860806 (W 1184)	65 mm	3,500 kg	200 kg	50 mm	31.0 kN	3.54 kg	–	400	12
WW 350-RD-1412	1860807 (W 1185)	65 mm	3,500 kg	200 kg	50 mm	31.0 kN	3.54 kg	–	400	12
WW 350-RD-1414	1860808 (W 1186)	65 mm	3,500 kg	200 kg	50 mm	31.0 kN	3.54 kg	–	400	12

Ball coupling WW 350 cast iron up to 3,500 kg



WW 350-RCH



ECE R55-No.
55R-010380 E1

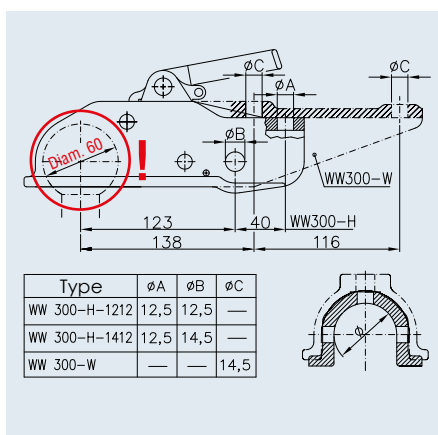
	Order no.	Drawbar diam.	Trailer load	Nose load	Ball diam.	D/Dc value				
WW 350-RCH-1414	1860809 (W 1188)	60 mm	3,500 kg	200 kg	50 mm	31.0 kN	3.70 kg	–	400	12
WW 350-RCH-1616	1860810 (W 1189)	60 mm	3,500 kg	200 kg	50 mm	31.0 kN	3.70 kg	–	400	12

Ball coupling WW 300 – special design for ball 60 mm diam.

Hole for commercial padlock



WW 300-H



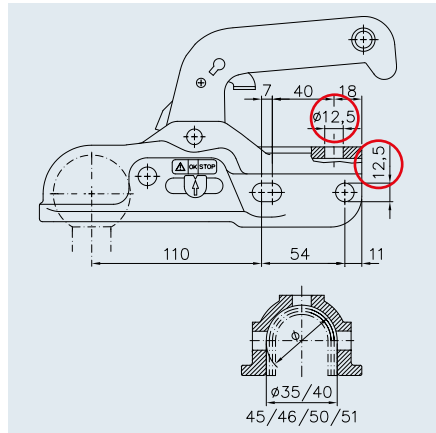
Important!
Special ball coupling only suitable for 60 mm diam. tow balls. This ball coupling should not be used with standard 50 mm diam. tow balls.

ECE R55-No.
55R-011242 E1

	Order no.	Drawbar diam.	Trailer load	Nose load	Ball diam.	D/Dc value				
WW 300-H-1212-D60 BALL	1860814 (W 1410)	50 mm	3,500 kg	150 kg	60 mm	31.0 kN	3.48 kg	350	300	12
WW 300-H-1412-D60 BALL	1860815 (W 1411)	50 mm	3,500 kg	150 kg	60 mm	31.0 kN	3.48 kg	350	300	12
WW 300-W-D60 BALL	1860816 (W 1412)	70 mm	3,500 kg	150 kg	60 mm	31.0 kN	3.52 kg	350	300	12

BALL COUPLINGS

Universal Ball coupling WW 30-K+Z cast iron up to 3,000 kg



ECE R55-No.
55R-010640 E1

	Order no.	Drawbar diam.	Trailer load	Nose load	Ball diam.	D/Dc value				
WW 30-K+Z	1860801 (W 1146)	35-40-45-46-50-51 mm	3,000 kg	150 kg	50 mm	27.0 kN	3.60 kg	–	170	12



BALL COUPLING

Stabiliser coupling with anti snaking WS 3000 / WS 3500



WS 3000 = 3,000 kg

WS 3500 = 3,500 kg

Specially developed friction linings are pressed against the tow ball of the vehicle under high pressure to generate additional stability of the car and trailer combination. The stabiliser coupling assists by increasing the critical driving speed, the point at which the car and trailer becomes unstable, by upto 30%. All WS 3000 / WS 3500 stabiliser couplings fulfill the ISO 11555-1 standard and are therefore approved stabilising units for the 100 km/h regulation.



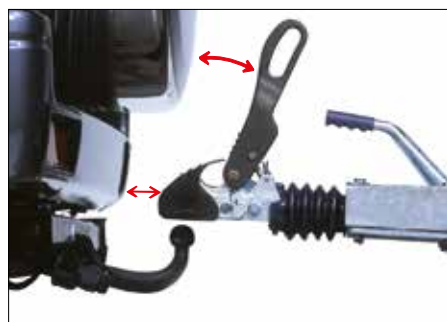
Single coupling function



Coupling indicator



Wear indicator



More free space to the rear of the vehicle



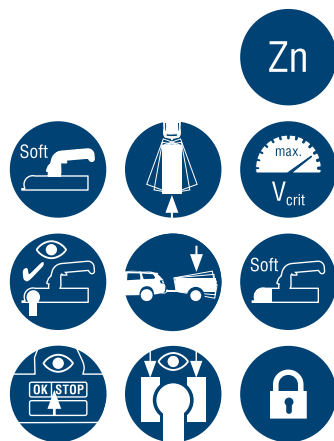
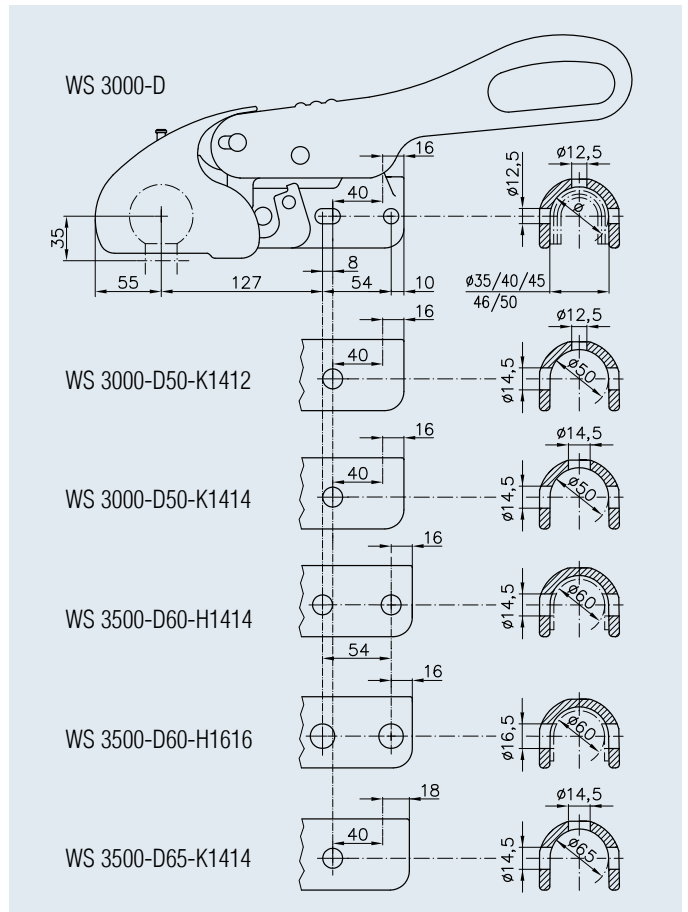
Unrestricted tow ball neck clearance



Maxi soft dock

BALL COUPLING

Stabiliser coupling with anti snaking WS 3000 / WS 3500



WS 3000 = 3,000 kg

WS 3500 = 3,500 kg

	Order no.	Drawbar diam.	Trailer load	Nose load	Ball diam.	D/Dc value				
WS 3000-D+Z ¹⁾	1860848 (W 1450)	35-40-45-46-50 mm	3,000 kg	150 kg	50 mm	27.0 kN	5.80 kg	–	60	12
WS 3000-D50-K1412+Z ¹⁾	1860849 (W 1451)	50 mm	3,000 kg	150 kg	50 mm	27.0 kN	5.80 kg	–	60	12
WS 3000-D50-K1414+Z ¹⁾	1860853 (W 1456)	50 mm	3,000 kg	150 kg	50 mm	27.0 kN	5.80 kg	–	60	12
WS 3500-D60-H1414+Z ²⁾	1860856 (W 1460)	60 mm	3,500 kg	150 kg	50 mm	31.0 kN	6.20 kg	–	60	12
WS 3500-D60-H1616+Z ²⁾	1860857 (W 1462)	60 mm	3,500 kg	150 kg	50 mm	31.0 kN	6.20 kg	–	60	12
WS 3500-D65-60-K14+Z ²⁾	1860859 (W 1464)	65 mm	3,500 kg	150 kg	50 mm	31.0 kN	6.20 kg	–	60	12

¹⁾ ECE R55-Nr. 55R-010065 E1

²⁾ ECE R55-Nr. 55R-011941 E1

Stabiliser coupling with anti snaking WS 3000 / WS 3500



WS 3000-D+Z



BALL COUPLINGS - ACCESSORIES

Anti-theft devices for WS 3000 / WS 3500







ROBSTOP WS 3000



SAFETY PACK WS



	Order no.	suitable for				
ROBSTOP WS 3000	1860170 (W 1551)	WS 3000 from construction years 08-2002	1.48 kg	–	500	12
SAFETY PACK WS	1860847 (W 1448)	WS 3000 from construction years 08-2002	7.19 kg	–	60	12



ROBSTOP WS 3000 PLUS



Reinforced, hardened design with special lock cylinders and certificates.



SAFETY PACK WS PLUS



	Order no.	suitable for	Certificates				
ROBSTOP WS 3000 PLUS	1860171 (W 1553)	WS 3000 from construction years 08-2002	SoldSecure Gold (GB), SCM (NL)	1.92 kg	–	500	12
ROBSTOP WS 3000 PLUS-S	1860164 (W 1525)	WS 3000 from construction years 08-2002	SBSC (S)	2.03 kg	–	500	12
SAFETY PACK WS PLUS	1861416 (W 1449)	WS 3000 from construction years 08-2002	SoldSecure Gold (GB), SCM (NL)	7.63 kg	–	60	12
ROBSTOP WS 3500 PLUS (not pictured)	1860169 (W 1545)	WS 3500	SoldSecure Gold (GB), SCM (NL)	2.37 kg	–	400	12

Anti theft devices for ball couplings



SAFETY-BOX-K



SAFETY-BOX XL-K



	Order no.	suitable for				
SAFETY-BOX-K	1860174 (W5012)	universal	2.16 kg	–	150	12
SAFETY-BOX XL-K	1860176 (W5014)	universal	2.10 kg	–	150	12



Reinforced, hardened design with special lock cylinders and certificates.

ROBSTOP WW 30-K PLUS



Reinforced, hardened design with special lock cylinders and certificates.

ROBSTOP WW 13-150 PLUS



	Order no.	suitable for	Certificates				
ROBSTOP WW 30-K PLUS	1860168 (W1542)	WW 30-K+Z, WW 30-KD50, WW 30-KD51	SCM (NL)	1.82 kg	–	500	12
ROBSTOP WW 30-K PLUS-S	1860166 (W1529)	WW 30-K+Z, WW 30-KD50, WW 30-KD51	SBSC (S)	1.95 kg	–	500	12
ROBSTOP WW 13-150 PLUS	1860167 (W1532)	WW 13-N, WW 150-RB, EM 150-RA, EM 150-RB	SCM (NL)	1.82 kg	–	500	12
ROBSTOP WW 13-150 PLUS-S	1860165 (W1527)	WW 13-N, WW 150-RB, EM 150-RA, EM 150-RB	SBSC (S)	1.95 kg	–	500	12

BALL COUPLINGS - ACCESSORIES

Anti theft devices for ball couplings



DBS 8



DISKUS SAFETY



SAFETY BALL

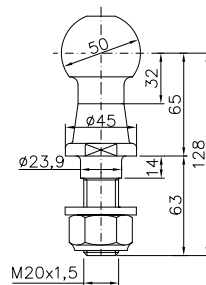


	Order no.	suitable for				
DBS 8	1860154 (W 1500)	AK 7, EM 80, EM 150, EM 220, EM 300, EM 350, WW 8, WW 13, WW 150, WW 220, WW 30	0.02 kg	5	50	12
DISKUS SAFETY	1860172 (W 1556)	universal	0.23 kg	–	72	12
SAFETY BALL	1860486 (W 6208)	universal	0.04 kg	–	500	12

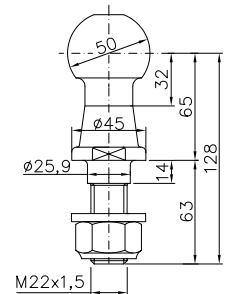
Accessories for tow balls



KUB 50-2000 KG



KUB 50-3500 KG



	Order no.	Trailer load	Ball diam.	D/Dc value				
KUB 50-2000 KG ¹⁾	1860520 (W 1610)	2,000 kg	50 mm	18.5 kN	1.11 kg	–	1,000	12
KUB 50-3500 KG ²⁾	1860683 (W 1620)	3,500 kg	50 mm	31.0 kN	1.11 kg	–	1,000	12

¹⁾ ECE R55-No. 55R-011525 E1

²⁾ ECE R55-No. 55R-010809 E1

Accessories for ball couplings

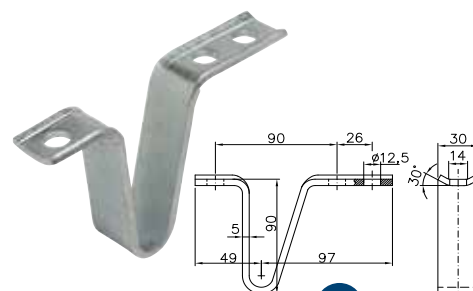


HAL



HAL 7-13





Zn



FLA

Zn



	Order no.	suitable for				
HAL	1860686 (W1707)	WW 8, WW 13, WW 150, WW 220, WW 30	0.02 kg	–	1,000	12
HAL 7-13	1860544 (W1560)	universal	0.04 kg	–	1,000	12
FLA	1860680 (W1562)	universal	0.30 kg	–	50	12





BALL CAP



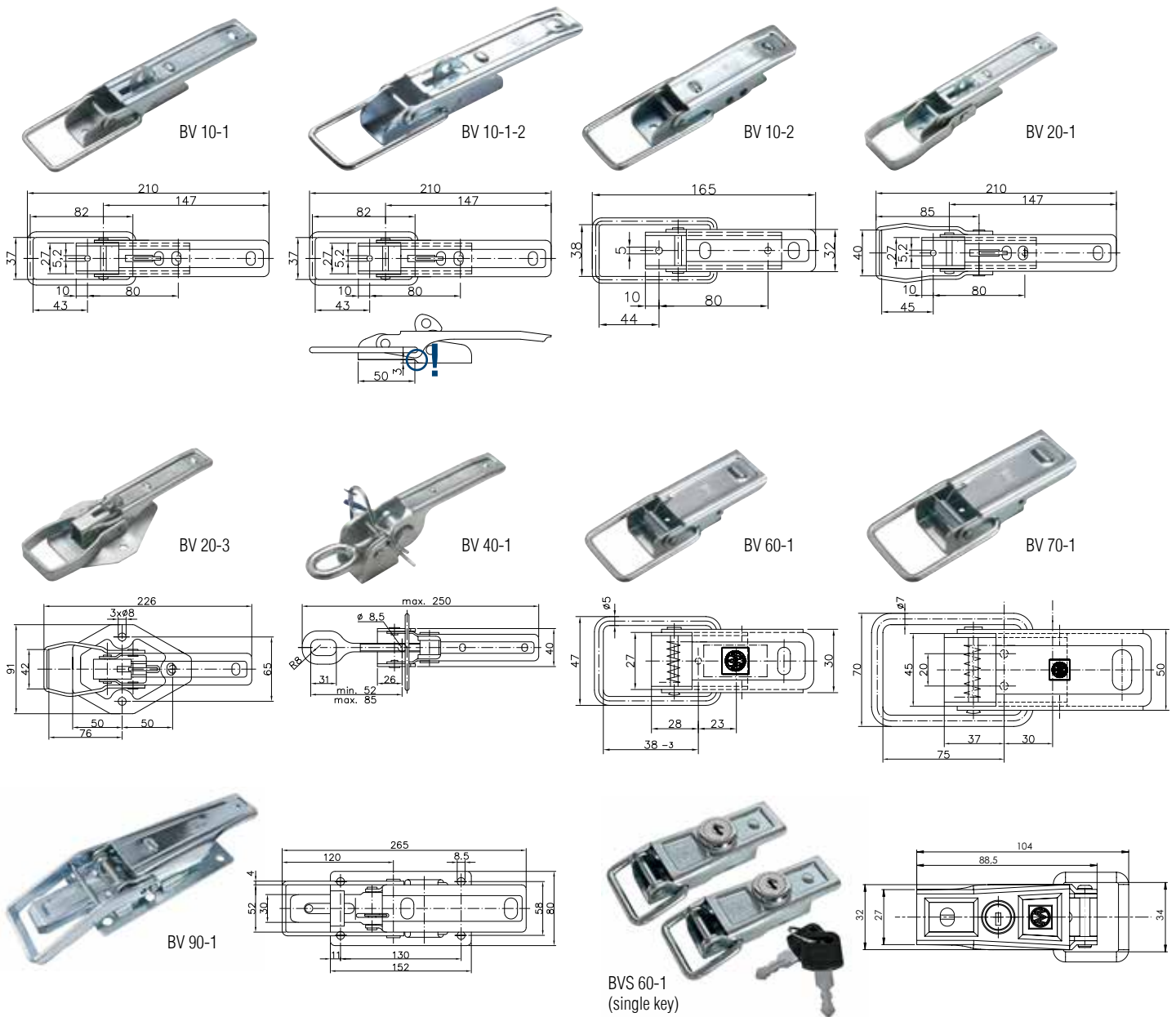
BALL CAP-K24

24 pieces per box



	Order no.	suitable for				
BALL CAP	1860484 (W1640)	universally usable	0.06 kg	–	3,000	12
BALL CAP-K24	1860685 (W1641)	universally usable	1.40 kg	–	24	12

SIDE LATCHES AND COUNTERPARTS



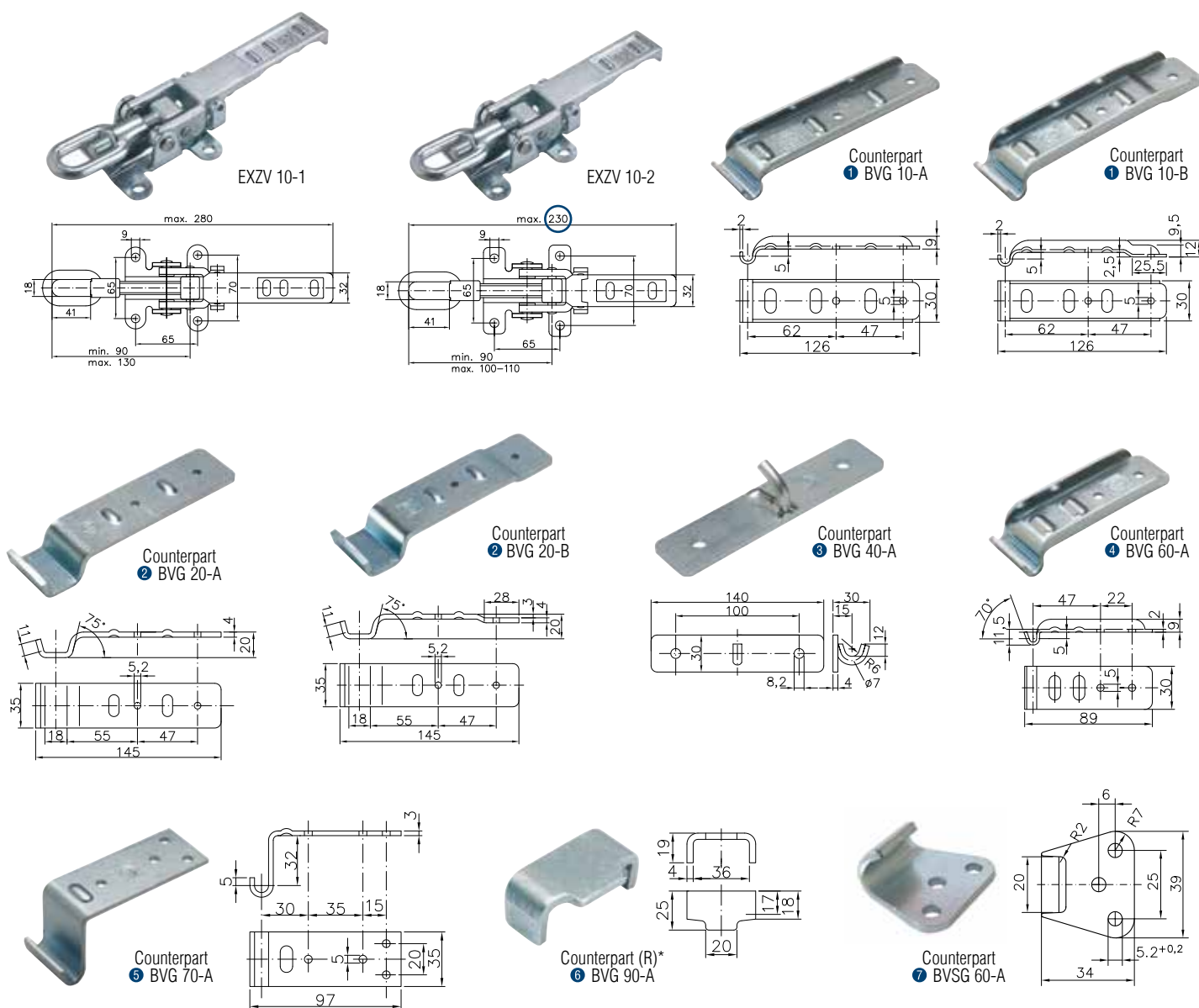
Ordering overview

TÜV Certificate
I extant

Surface treatment
I Electrogalvanised

Zn

	matching counterpart	Order no.		Tensile strength in Nm	Surface treatment		TUV Certificate
		Single	Piece		Single	VPE	
Side latch BV 10-1 (W 6700)	1	1860019	1	1860020	60	900	0.26 15.6 2
Side latch BV 10-1-2 (W 6701)	1	1860021	1	1860022	60	900	0.26 15.3 2
Side latch BV 10-2 (W 6702)	1	1860023	1	1860024	70	650	0.22 15.05 2
Side latch BV 20-1 (W 6704)	2	1860025	1	1860026	45	800	0.30 13.5 2
Side latch BV 20-3 (W 6708)	2	1860027	1	1860028	30	900	0.47 13.95 2
Side latch BV 40-1 (W 6712)	3	1860029	1	1860030	50	1,100	0.41 20.50 2
Side latch BV 60-1 (W 6716)	4	1860031	1	1860032	150	500	0.11 15.75 2
Side latch BV 70-1 (W 6718)	5	1860033	1	1860034	50	1,000	0.36 18.0 2
Side latch BV 90-1 (W 6722)	6	1860035	1	1860036	10	1,100	1.09 10.85 2
Side latch lockable BVS 60-1 (W 6725)	7	1860037	1 pair	1860038	50 pair	650	0.16 16.0 2

















Ordering overview

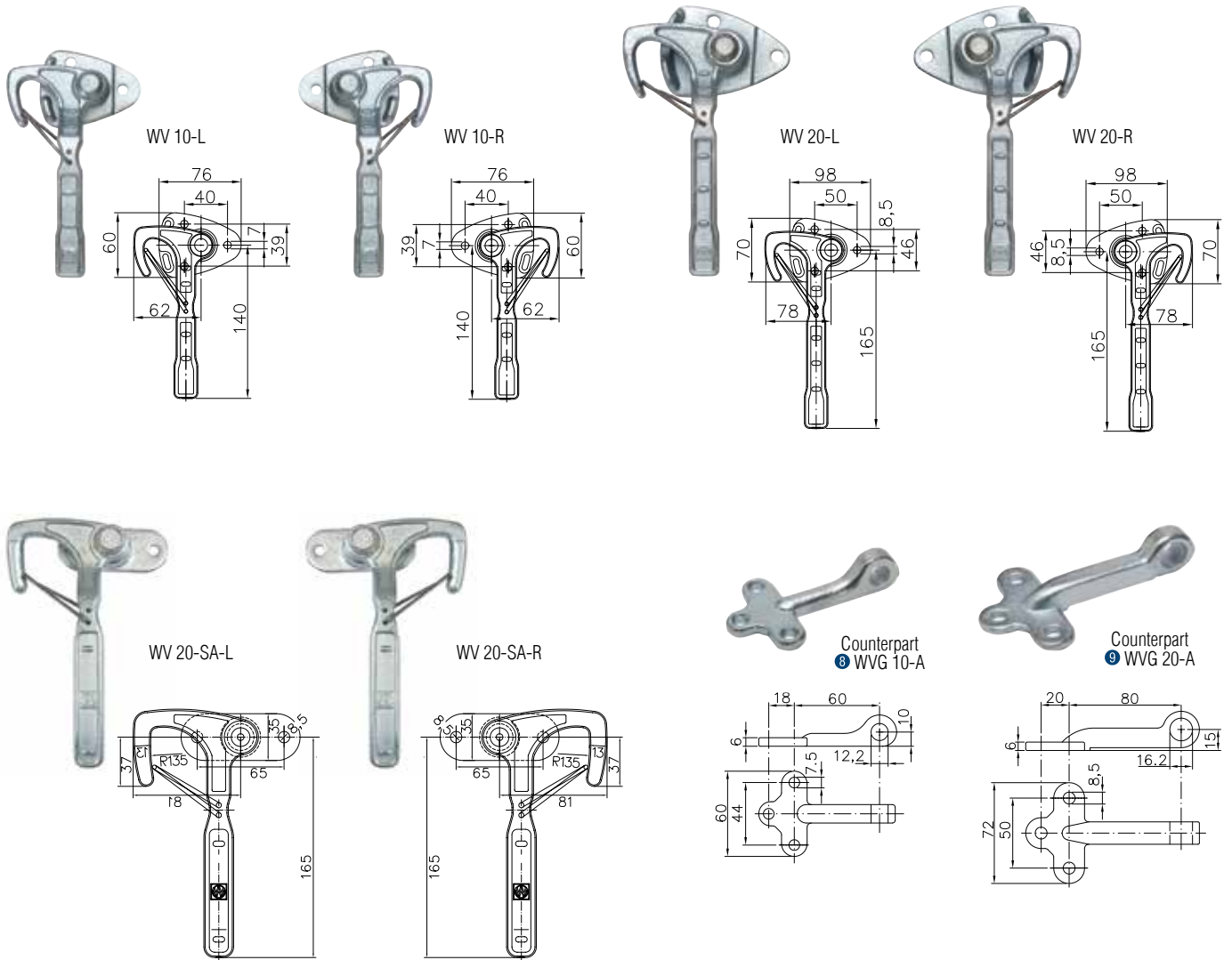
 TÜV Certificate
 | extant

 Surface treatment
 | Electrogalvanised

 Zn

	matching counterpart	Order no. Single	 Piece	Order no. VPE	 Piece	Tensile strength in Nm	 Single	 VPE	
Toggle lock EXZV 10-1 (W 6780)		1860067	1	1860068	10	1,000 	0.92	9.2	2
Toggle lock EXZV 10-2 (W 6782)		1860069	1	1860070	20	1,000 	0.89	17.7	2
① Counterpart to side latch BVG 10-A (W 8600)		1860071	1	1860072	180	300 	0.08	14.4	2
① Counterpart to side latch BVG 10-AB (W 6802)		1860073	1	1860074	180	300 	0.08	14.4	2
② Counterpart to side latch BVG 20-A (W 6804)		1860075	1	1860076	90	450 	0.17	15.3	2
② Counterpart to side latch BVG 20-AB (W 6806)		1860077	1	1860078	90	450 	0.17	15.3	2
③ Counterpart to side latch BVG 40-A (W 6812)		1860079	1	1860080	100	650 	0.16	16.0	2
④ Counterpart to side latch BVG 60-A (W 6816)		1860081	1	1860082	300	300 	0.06	16.5	2
⑤ Counterpart to side latch BVG 70-A (W 6818)		1860083	1	1860084	200	450 	0.11	22.0	2
⑥ Counterpart to side latch BVG 90-A (W 6822)		1860085	1	1860086	400	–	0.04	16.0	2
⑦ Counterpart to lug BVG 60-A (W 6825)		1860087	1	1860088	200	500 	0.03	6.0	2

LEVER FASTENERS AND COUNTERPARTS



Ordering overview

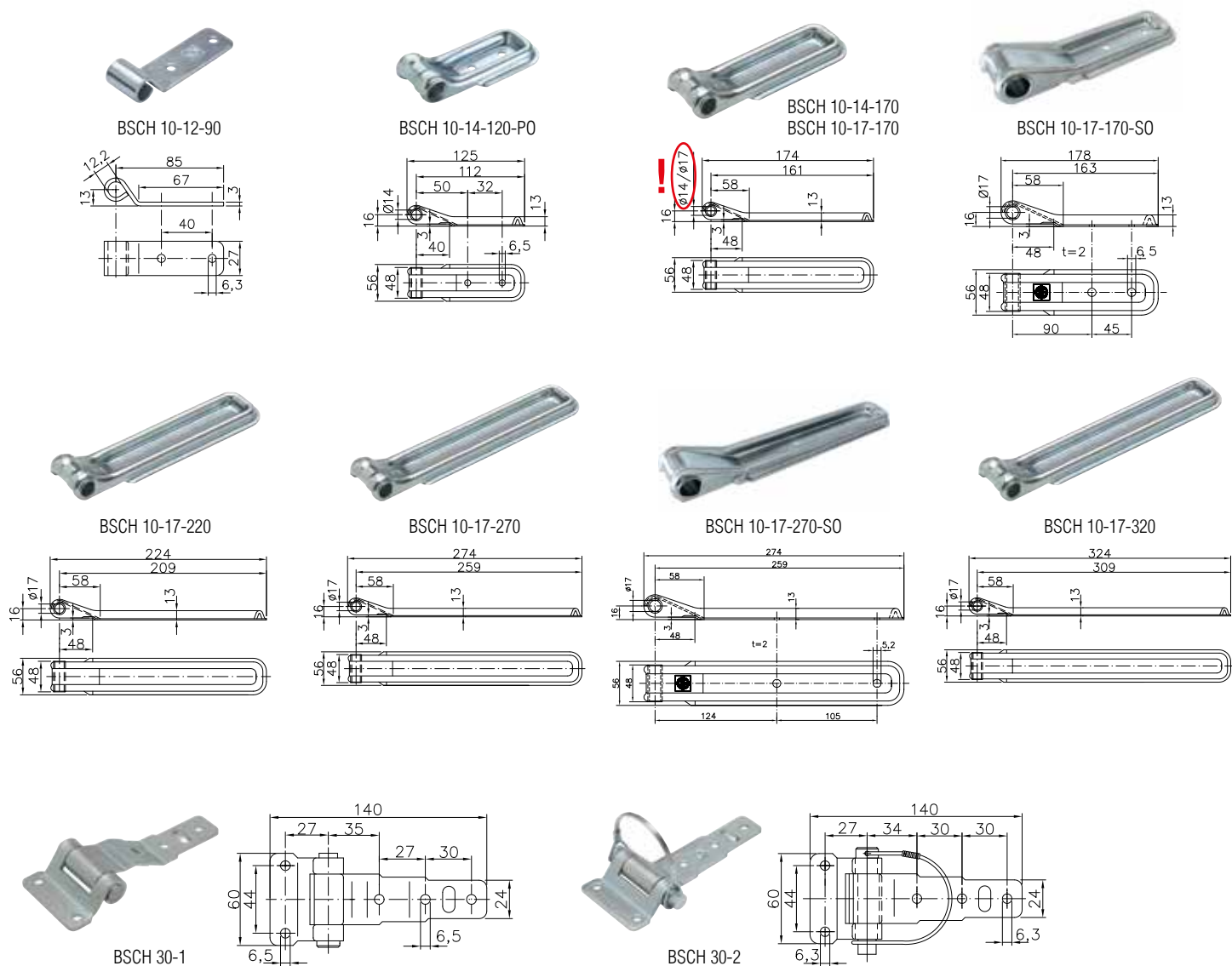
TÜV Certificate
I extant

Surface treatment
I Electrogalvanised

Zn

	matching counterpart	Order no.	Piece	Order no.	Piece	Tensile strength in Nm	Single	VPE	
		Single		VPE			Single	VPE	
Lever fastener WV 10-L (W 6602)	8	1860003	1	1860004	40	800	0.43	17.2	2
Lever fastener WV 10-R (W 6600)	8	1860001	1	1860002	40	800	0.45	18.0	2
Lever fastener WV 20-L (W 6612)	9	1860007	1	1860008	20	1,000	0.64	12.8	2
Lever fastener WV 20-R (W 6610)	9	1860005	1	1860006	20	1,000	0.64	12.8	2
Lever fastener WV 20-SA-L (W 6616)		1860011	1	1860012	20	1,000	0.55	10.9	2
Lever fastener WV 20-SA-R (W 6614)		1860009	1	1860010	20	1,000	0.55	10.9	2
8 Counterpart WVG 10-A (W 6650)		1860013	1	1860014	80	1,000	0.12	9.2	2
9 Counterpart WVG 20-A (W 6660)		1860017	1	1860018	40	1,200	0.21	8.4	2

TAILGATE HINGES AND COUNTERPARTS

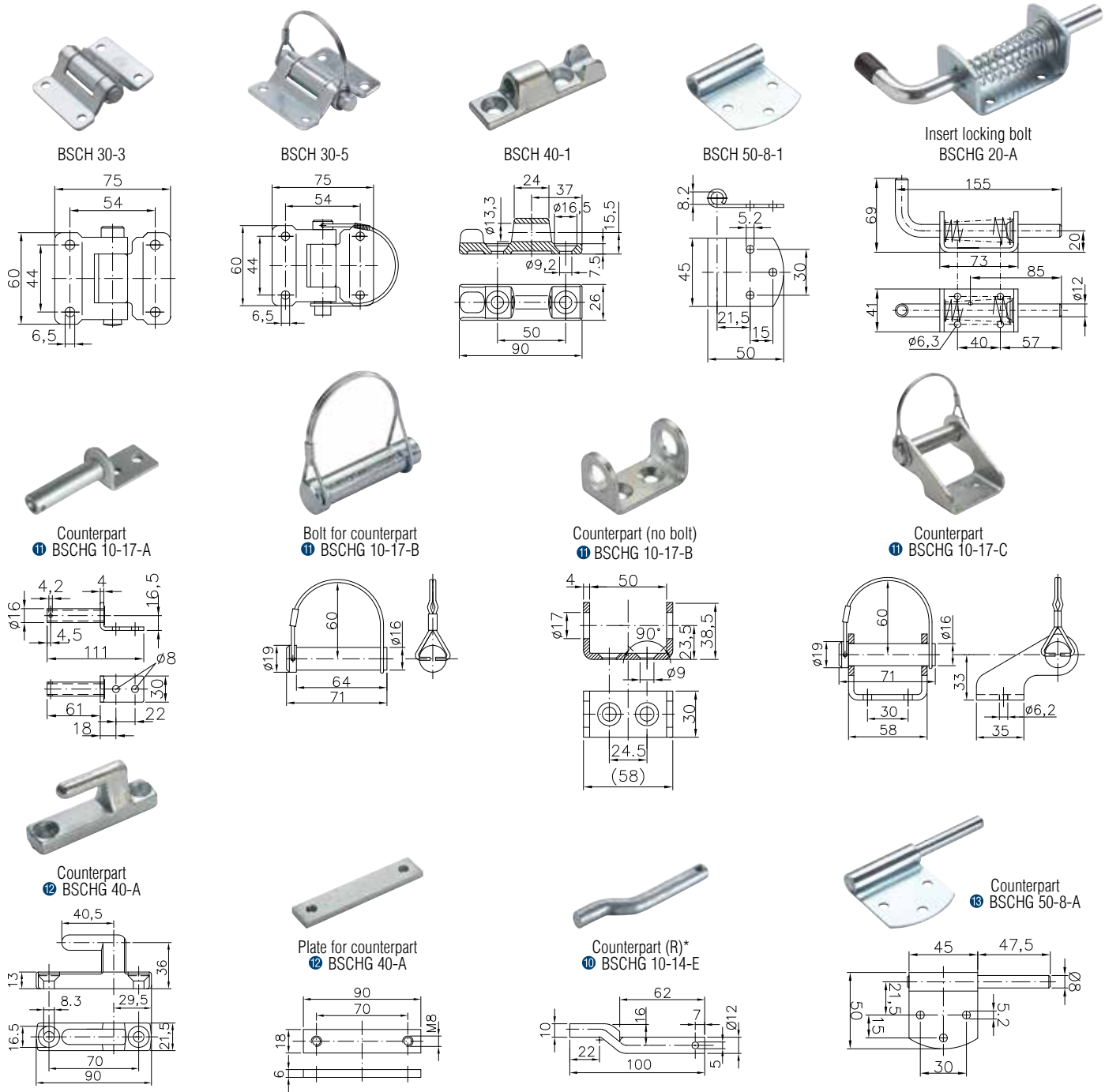


Ordering overview

 **Surface treatment**
 | Electrogalvanised

Zn

	matching counterpart	Order no.		Order no.		Single	VPE	2
		Single	Piece	VPE	Piece			
Tailgate hinge BSCH 10-12-90 (W 6955)		1860141	1	1860142	250	0.09	21.25	2
Tailgate hinge BSCH 10-14-120-PO (W 6910)	⑩	1860111	1	1860112	100	0.17	17.0	2
Tailgate hinge BSCH 10-14-170 (W 6915)	⑩	1860113	1	1860114	50	0.27	13.25	2
Tailgate hinge BSCH 10-17-170 (W 6916)	⑪	1860115	1	1860116	50	0.28	14.0	2
Tailgate hinge BSCH 10-17-170-SO (W 6917)	⑪	1860117	1	1860118	50	0.25	12.5	2
Tailgate hinge BSCH 10-17-220 (W 6920)	⑪	1860121	1	1860122	50	0.30	14.9	2
Tailgate hinge BSCH 10-17-270 (W 6930)	⑪	1860127	1	1860128	50	0.36	18.0	2
Tailgate hinge BSCH 10-17-270-SO (W 6935)	⑪	1860131	1	1860132	50	0.36	18.0	2
Tailgate hinge BSCH 10-17-320 (W 6940)	⑪	1860133	1	1860134	50	0.41	20.6	2
Tailgate hinge BSCH 30-1 (W 6900)		1860107	1	1860108	70	0.21	14.35	2
Tailgate hinge BSCH 30-2 (W 6956)		1860143	1	1860144	80	0.23	18.4	2



Surface treatment

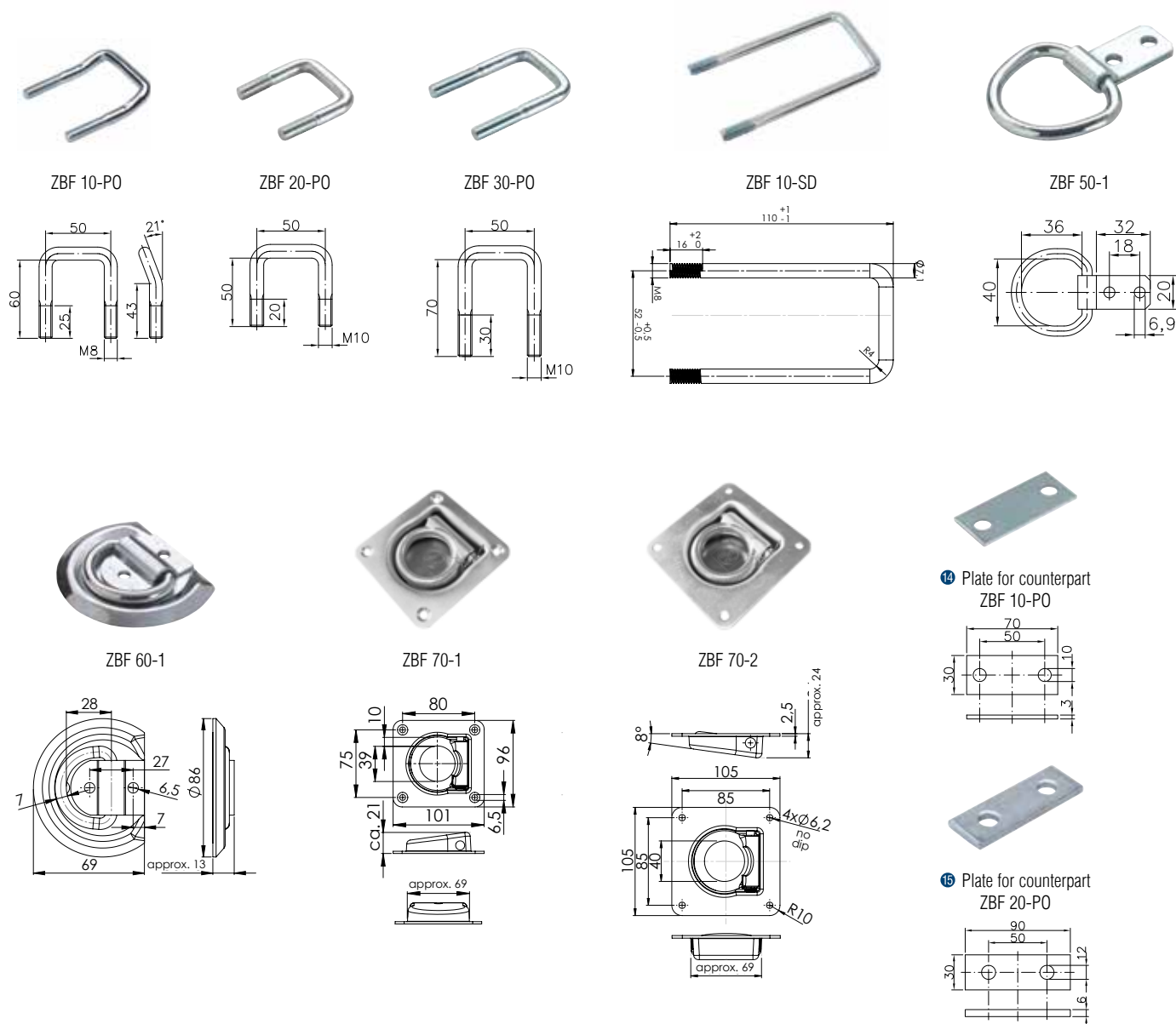
I Electrogalvanised



Ordering overview

	matching counterpart	Order no.		Order no.		Single	VPE	
		Single	Piece	VPE	Piece			
Tailgate hinge BSCH 30-3 (W 6903)		1860109	1	1860110	100	0.19	19.0	2
Tailgate hinge BSCH 30-5 (W 6958)		1860145	1	1860146	100	0.21	21.0	2
Tailgate hinge BSCH 40-1 (W 6970)	12	1860149	1	1860150	60	0.17	10.2	2
Tailgate hinge BSCH 50-8-1 (W 6865)	16	1860099	1	1860100	200	0.05	10.0	2
Locking bolt BSCHG 20-A (W 6845)		1860095	1	1860096	60	0.34	20.4	2
11 Counterpart to tailgate hinge BSCHG 10-17-A (W 6830)		1860089	1	1860090	100	0.12	11.5	2
11 Bolt for counterpart BSCHG 10-17-B (W 6838)		1860091	1	1860092	100	0.13	12.5	2
11 Counterpart to tailgate hinge BSCHG 10-17-B (no bolt) (W 6839)		1860093	1	1860094	100	0.09	9.0	2
11 Counterpart to tailgate hinge BSCHG 10-17-C (W 6850)		1860097	1	1860098	50	0.28	14.0	2
12 Counterpart to tailgate hinge BSCHG 40-A (W 6870)		1860101	1	1860102	60	0.24	14.4	2
12 Plate for counterpart to tailgate hinge BSCHG 40-A (W 6871)		1860103	1	1860104	60	0.07	4.2	2
10 Counterpart to tailgate hinge BSCHG 10-14-E (W 6890)		1860105	1	1860106	150	0.09	13.5	2
16 Counterpart to tailgate hinge BSCHG 50-8-A (W 6959)		1860147	1	1860148	200	0.09	18.0	2

LASHING




















Ordering overview

 **TÜV Certificate**
 | extant

 **Surface treatment**
 | Electrogalvanised

Zn

	matching counterpart	Order no. Single	 Piece	Order no. VPE	 Piece	Tensile strength in Nm	 Single	 VPE	
Lashing ZBF 10-PO (W 6750)		1860039	1	1860040	250	800 	0.06	15.0	2
Lashing ZBF 20-PO (W 6751)		1860041	1	1860042	150	1,000 	0.08	12.0	2
Lashing ZBF 30-PO (W 6752)		1860043	1	1860044	150	1,000 	0.11	16.5	2
Lashing ZBF 10-SD (W 6755)		1860047	1	1860048	150	800 	0.08	12.0	2
Lashing ZBF 50-1 (W 6756)		1860049	1	1860050	250	240 	0.06	15.0	2
Lashing ZBF 60-1 (W 6770)		1860059	1	1860060	150	400 	0.13	8.75	2
Lashing ZBF 70-1 (W 6775)		1860061	1	1860062	50	800 	0.38	18.75	2
Lashing ZBF 70-2 (W 6776)		1860063	1	1860064	50	800 	0.40	20.0	2
 Plate for counterpart ZBF 10-PO (W 6760)		1860053	1	1860054	250	–	0.05	11.25	2
 Plate for counterpart ZBF 20-PO (W 6763)		1860057	1	1860058	75	–	0.11	8.25	2



WINTERHOFF

QUALITY TRAILER SYSTEMS

WINTERHOFF – A BRAND OF AL-KO VEHICLE TECHNOLOGY

AL-KO KOBER LIMITED

South Warwickshire Business Park

Kineton Road

Southam, Warwickshire

CV47 0AL

United Kingdom

Phone +44 (0)1926 818500

mail@al-ko.co.uk

www.al-ko.co.uk



Visit AL-KO at

facebook.com/alko.professional

Order no. 499626 1 Edition EN 03/2017
Subject to changes in response to technical progress.
No liability accepted for mistakes and printing errors.